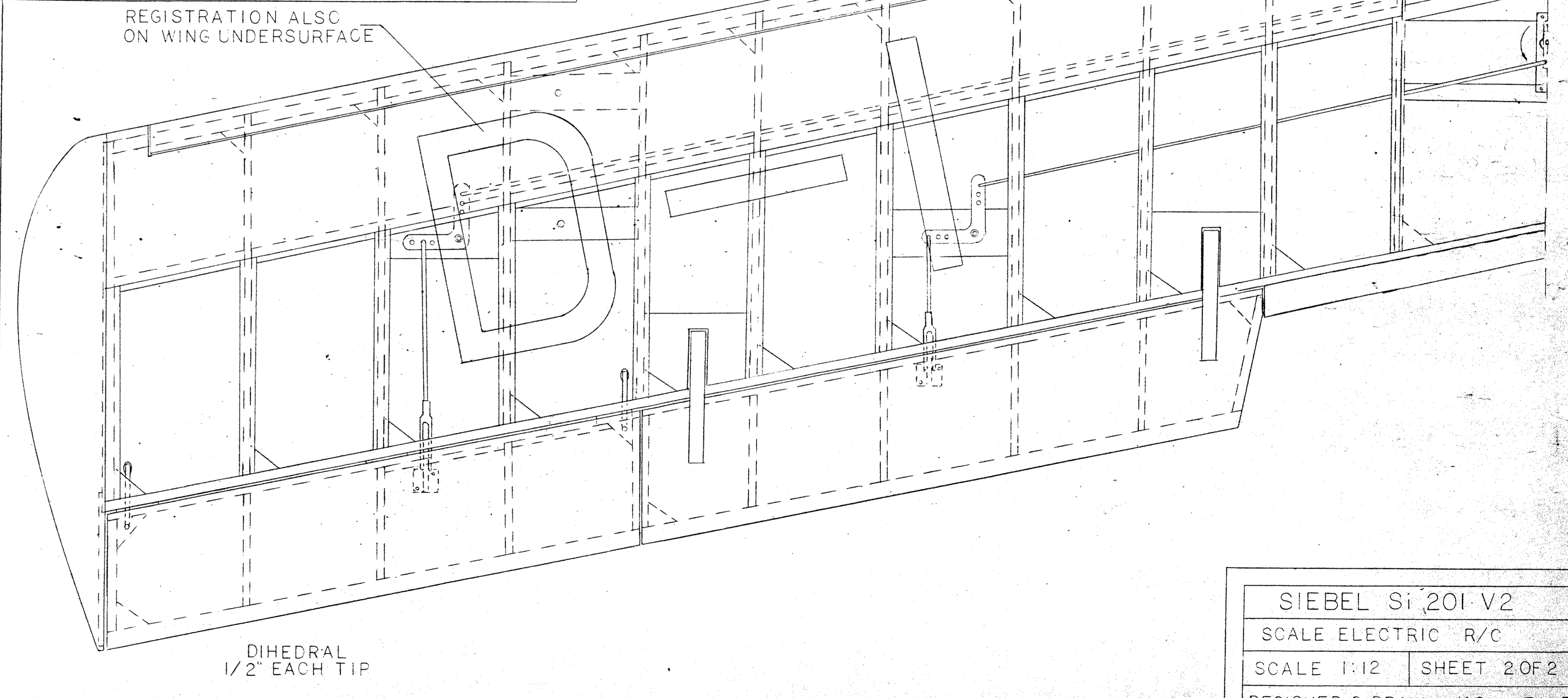
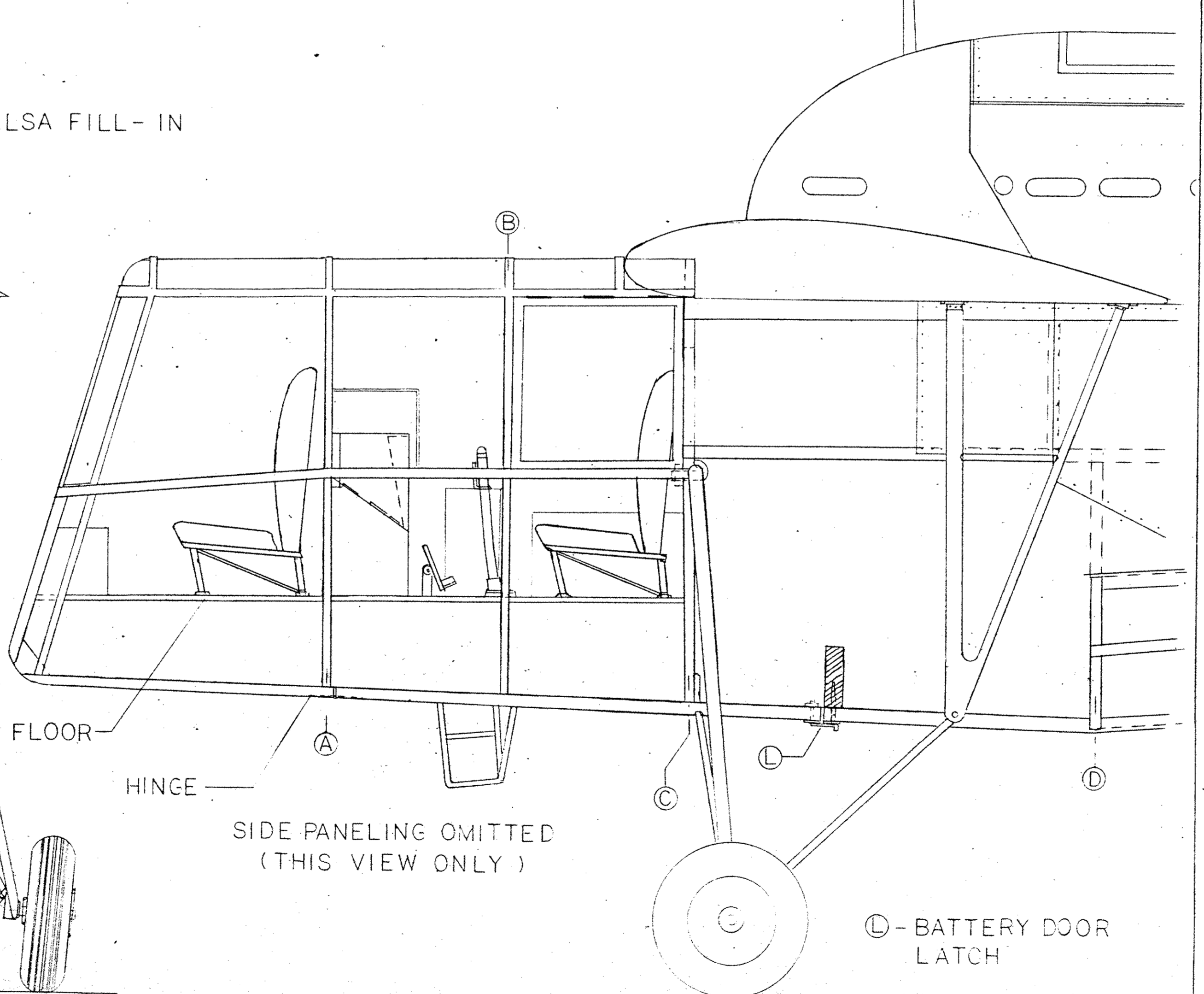
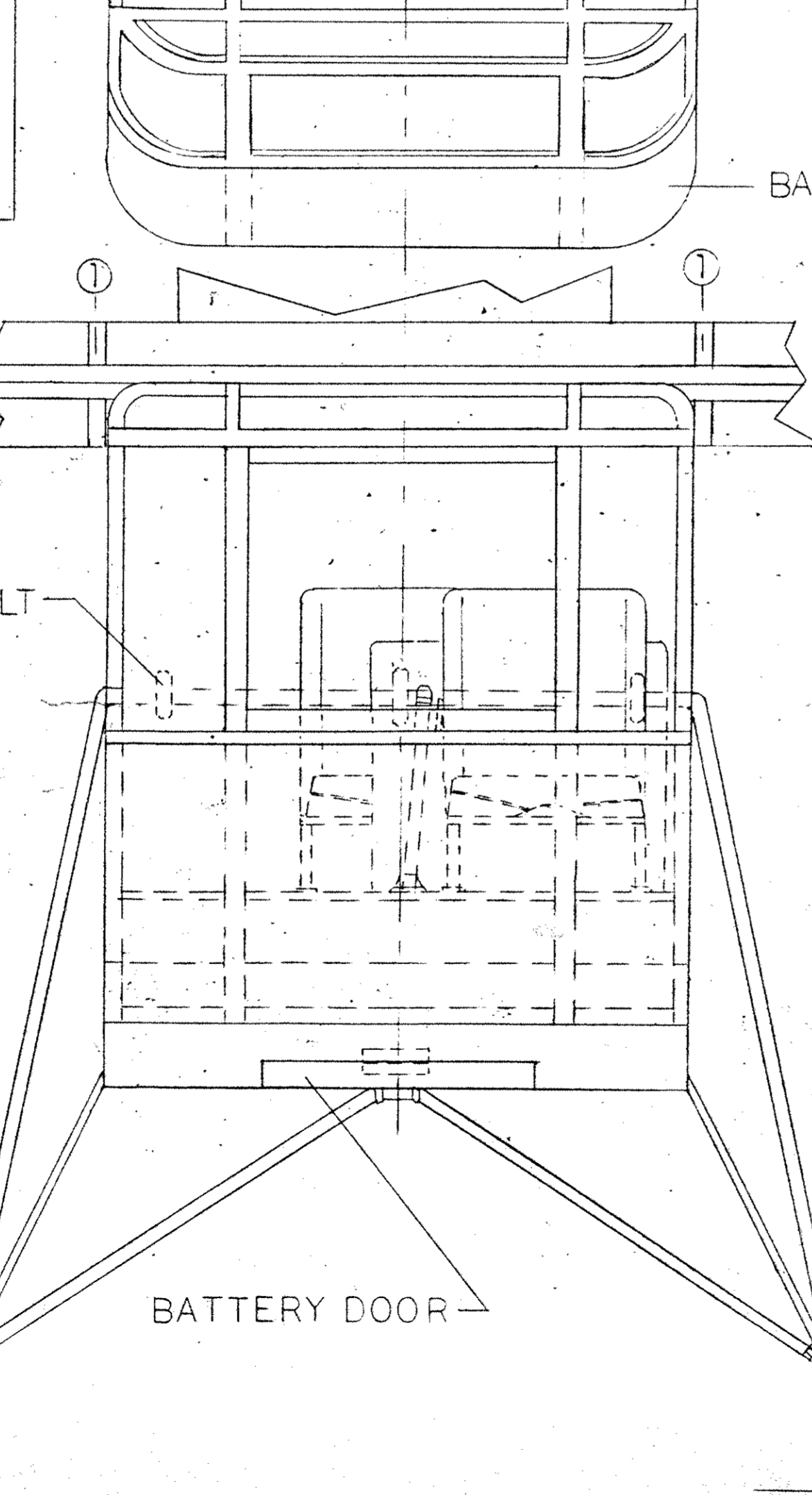
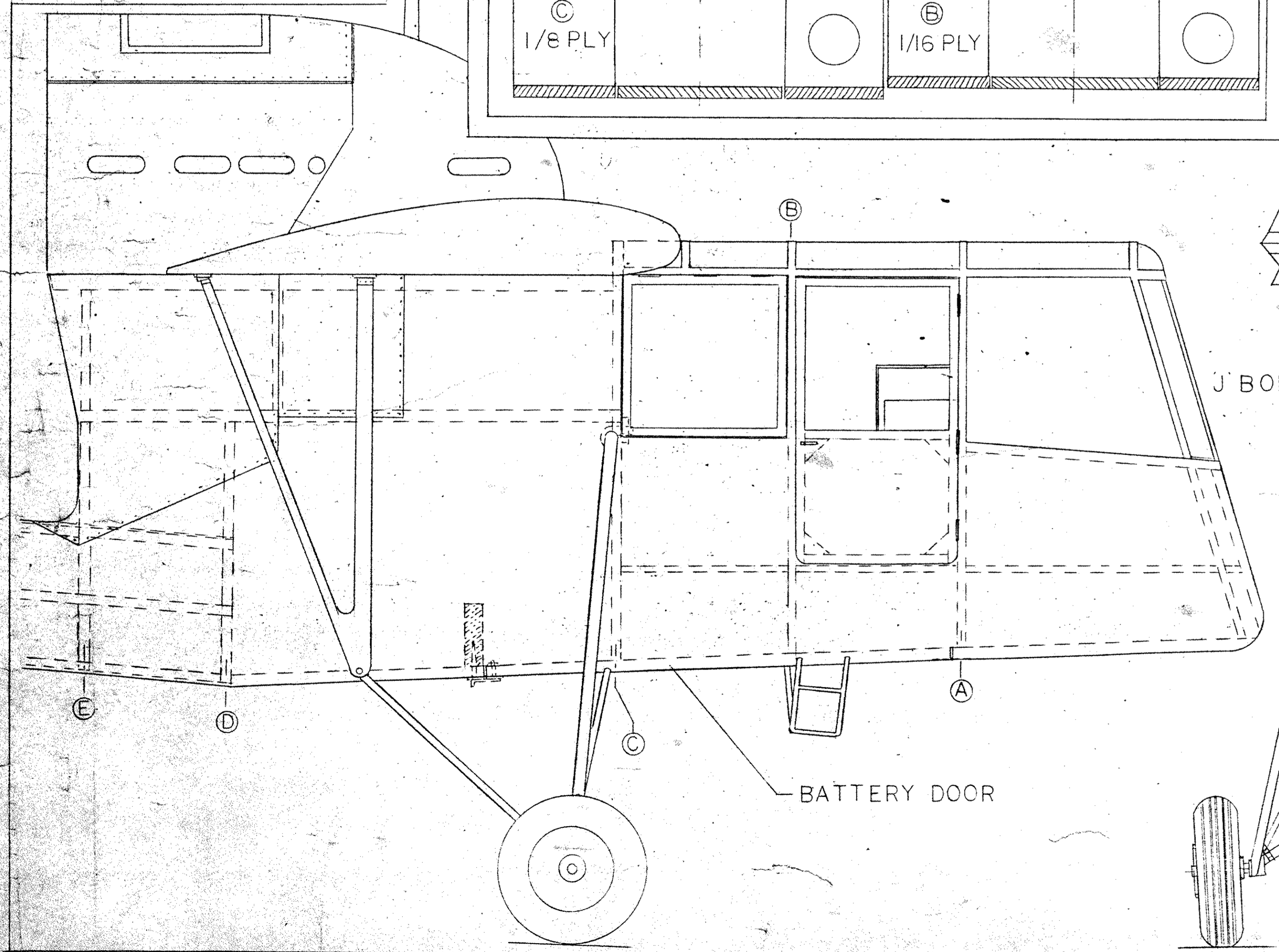
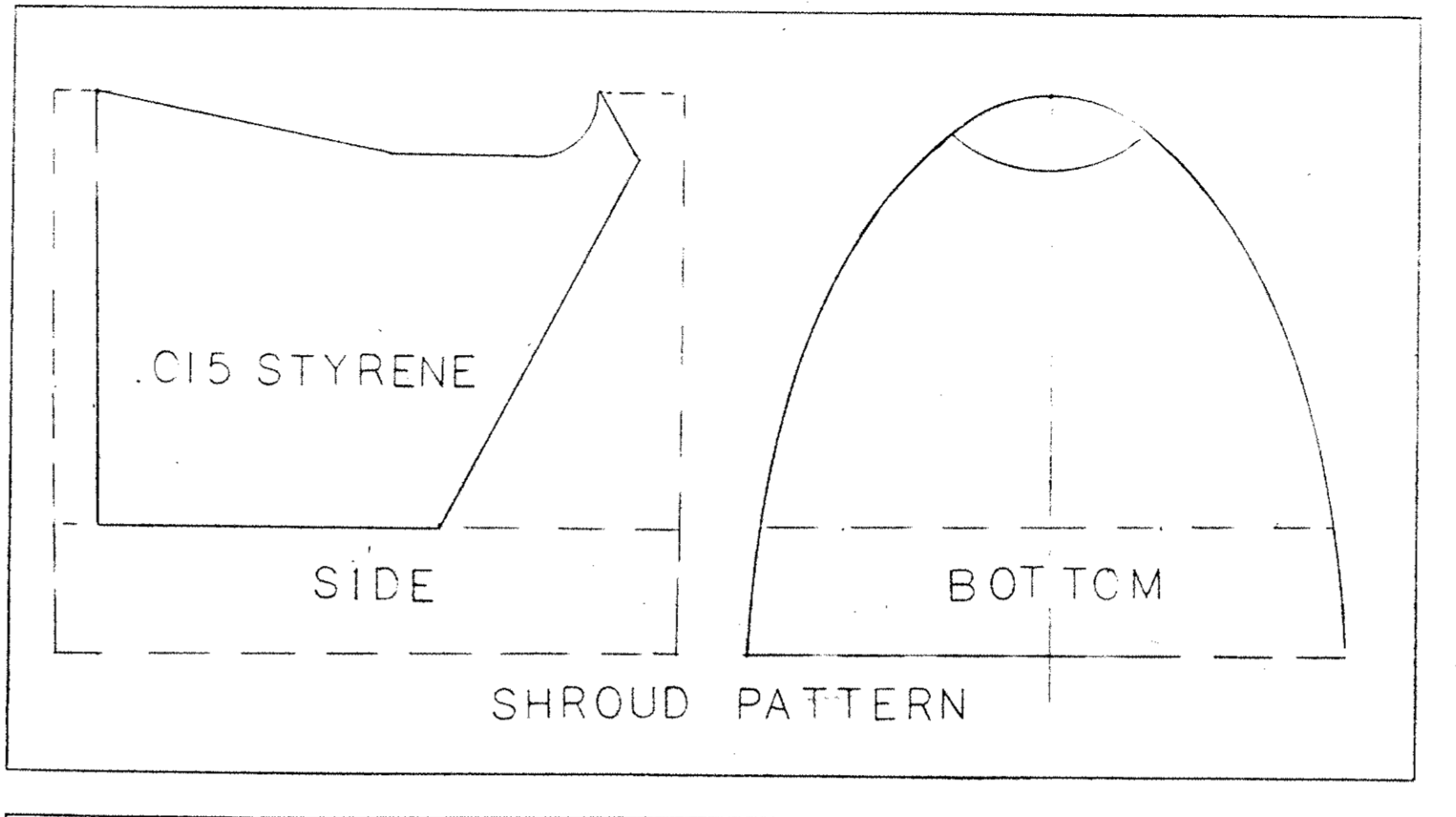
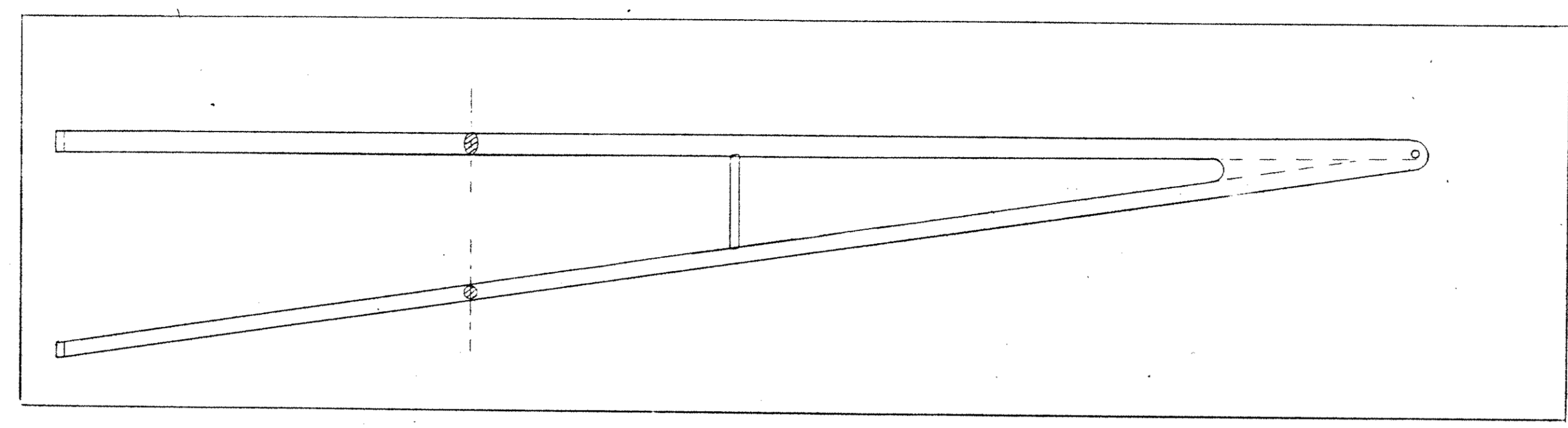
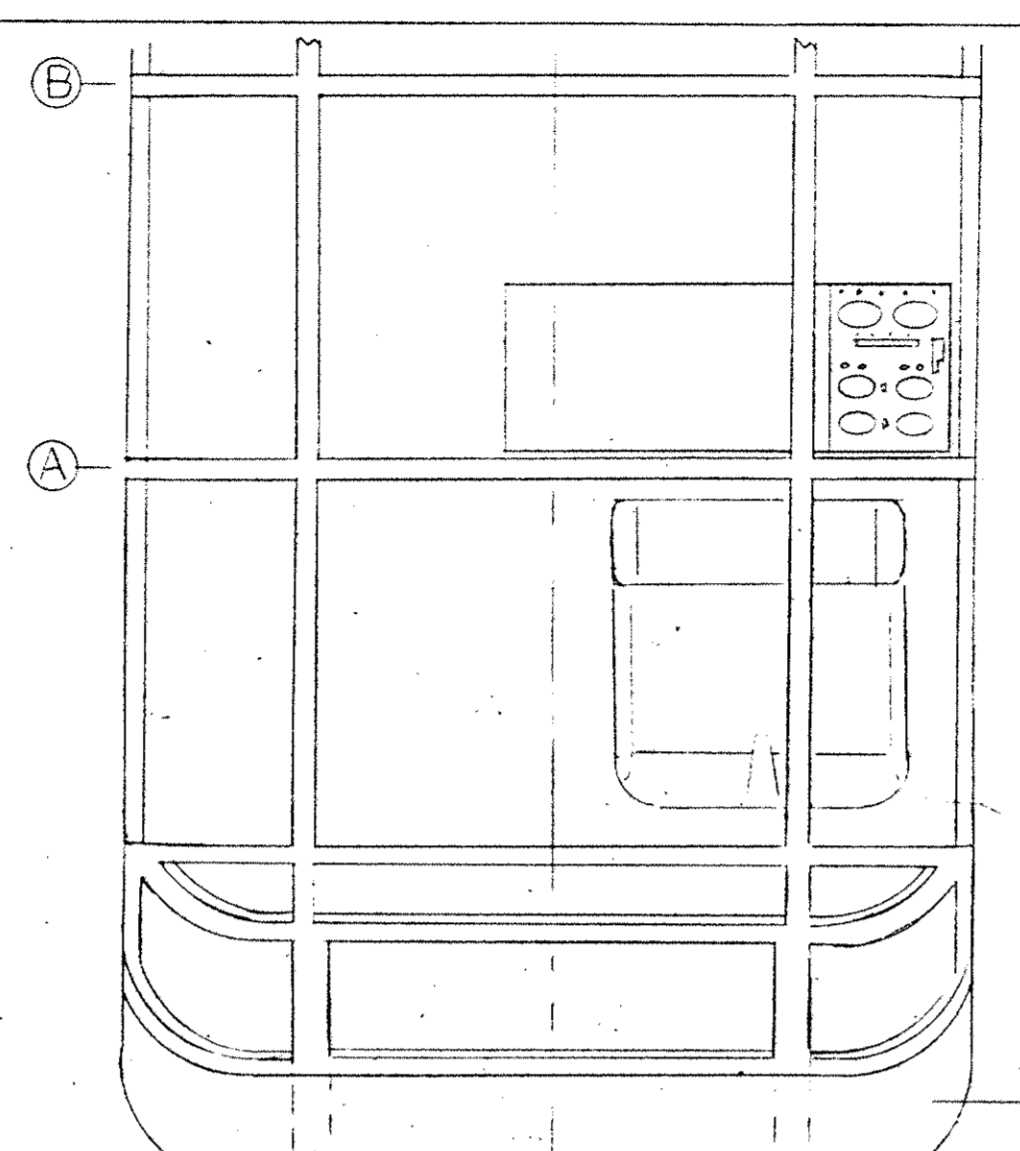
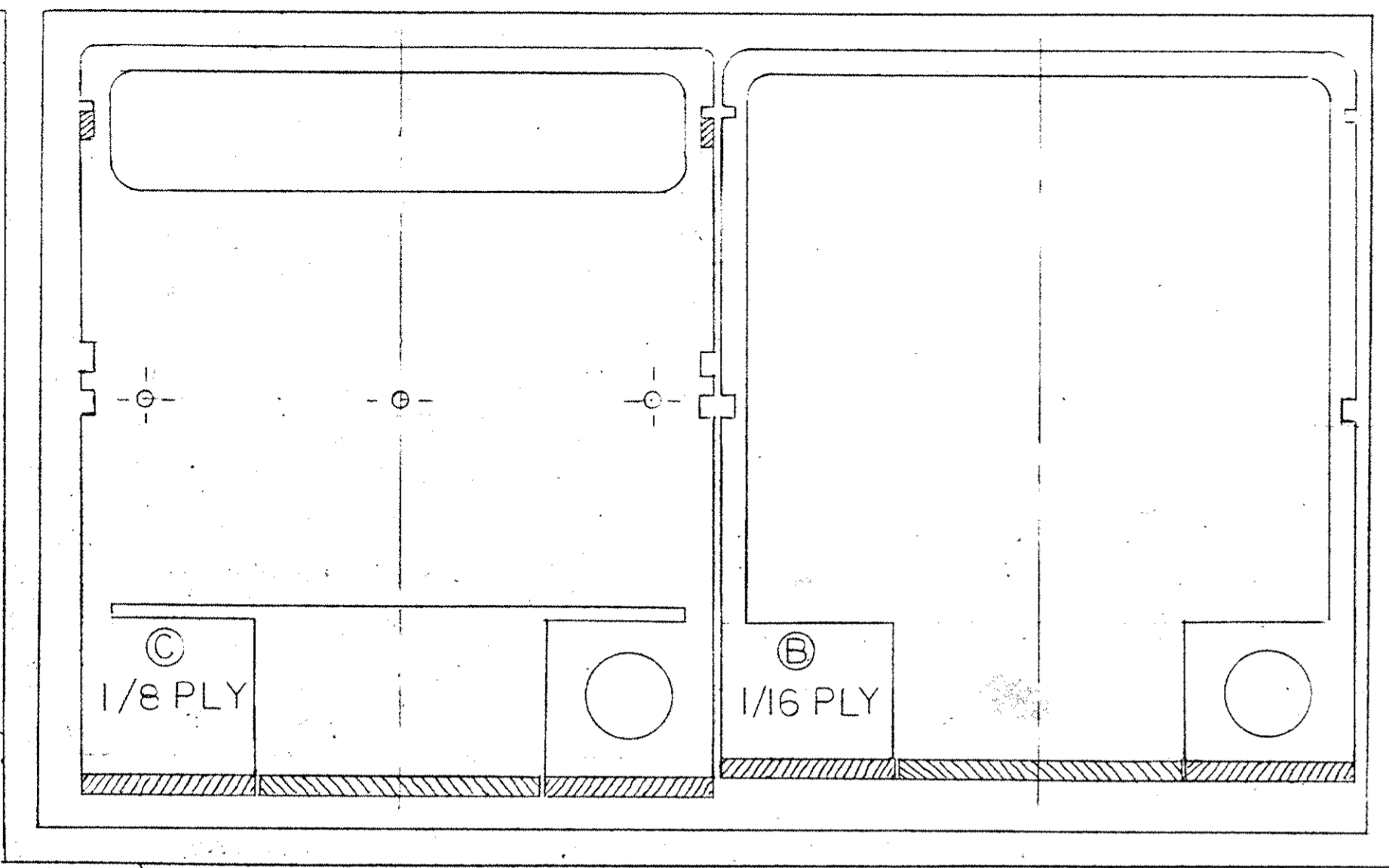
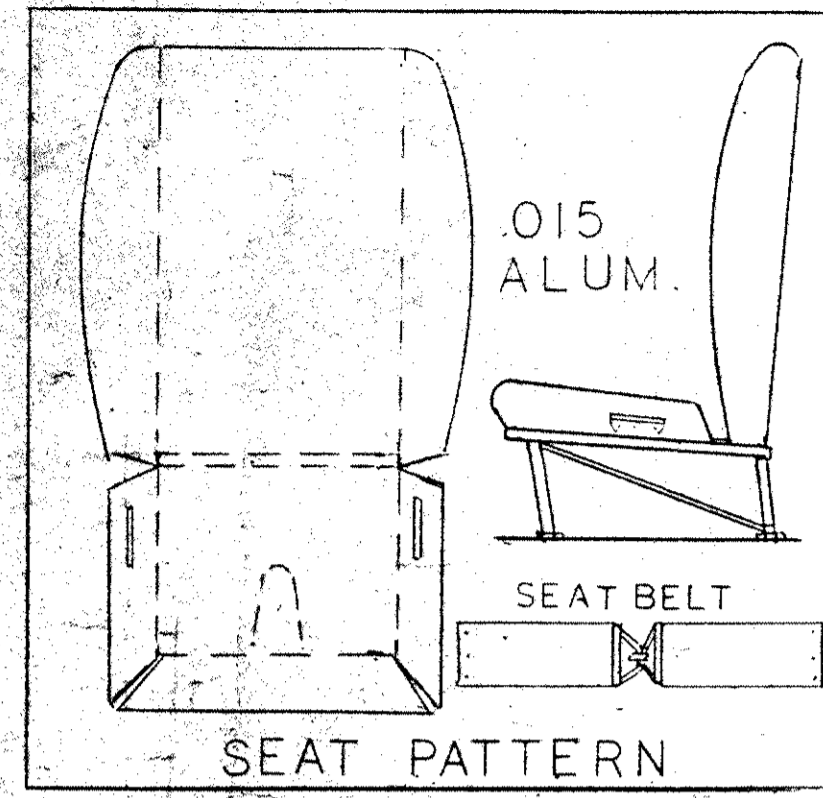


LETTERING - BLACK  
 SWASTIKA - BLACK ON WHITE  
 CIRCLE ON RED BAND

COLOR - RL M 63 OVERALL  
 (FS 595-26400)

DOCUMENTATION  
 GERMAN SHORT-RANGE RECONNAISSANCE PLANES. SCHIFFER PUB  
 HITLER'S LUFTWAFFE - CRESCENT BOOKS

SIEBEL Si 201 V2  
 SCALE ELECTRIC R/C  
 SCALE 1:12 SHEET 1 OF 2  
 DESIGNED & DRAWN - JACK L. BALE



SIEBEL Si 201-V2	
SCALE ELECTRIC R/C	
SCALE 1:12	SHEET 2 OF 2
DESIGNED & DRAWN - JACK L. BALE	