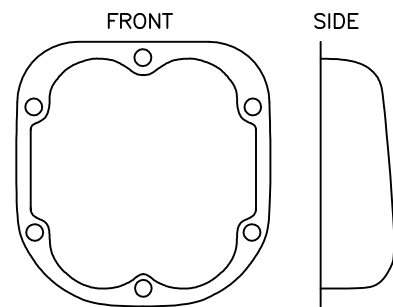
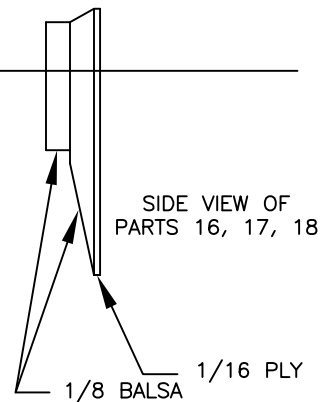
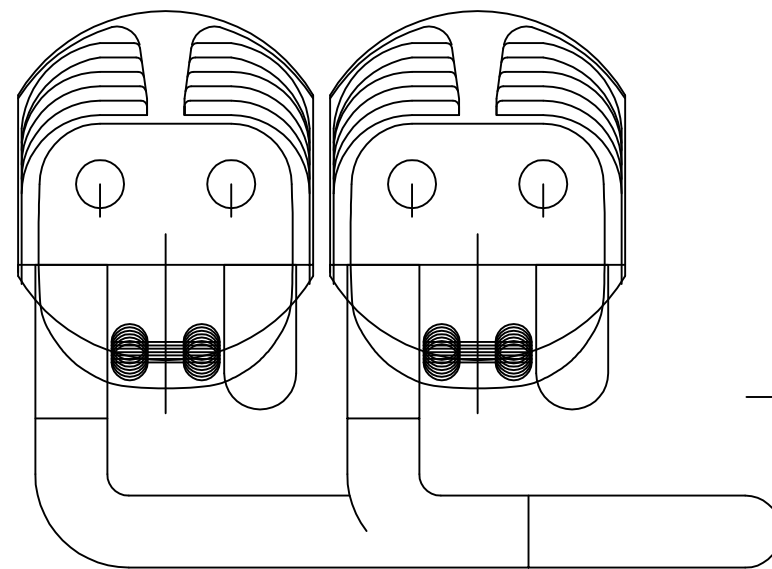
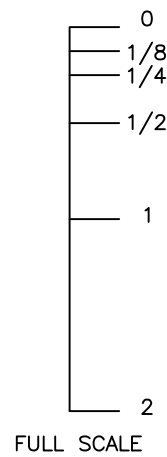


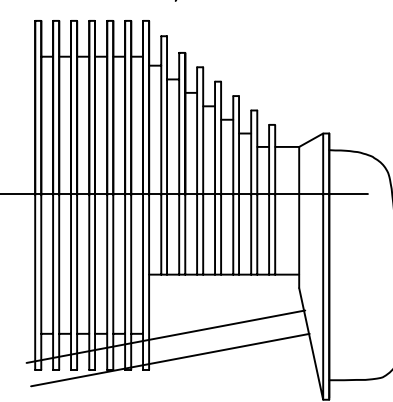
INTAKE PIPE
MAKE FROM 3/8 DOWEL



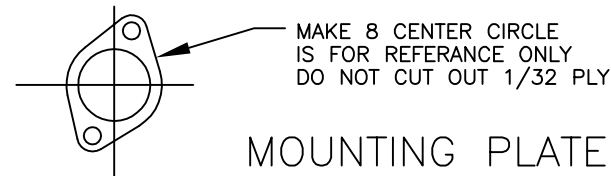
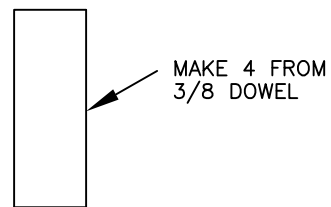
VALVE COVERS
MAKE MOLD FROM Balsa
AND VACUUM / PRESS FORM
WITH PLASTIC



SIDE VIEW OF
PARTS 16, 17, 18



EXHAUST SYSTEM
MAKE MOLD FROM 3/8
DOWEL AND Balsa
AND VACUUM / PRESS FORM
WITH PLASTIC



MOUNTING PLATE

THE CUB DEN WWW.GEOCITIES.COM/CUBMANKY			
SCALE 1" = 1"	DRAWN C BROOKS	CHKD.	DATE 7-19-01
TITLE 1/4 SCALE CONTINENTAL		DWG. NO. CONTINENTAL	
65/85HP		REVISIONS	
		A	
		9-6-01	