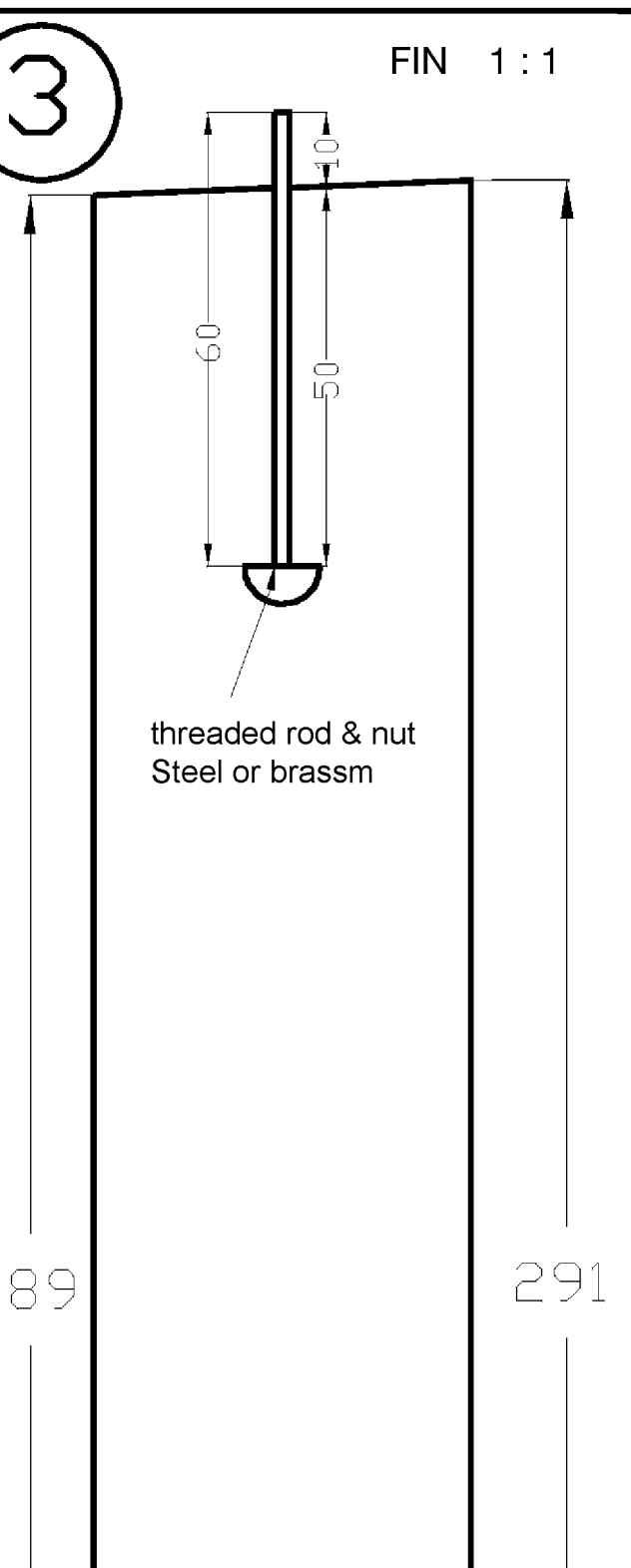
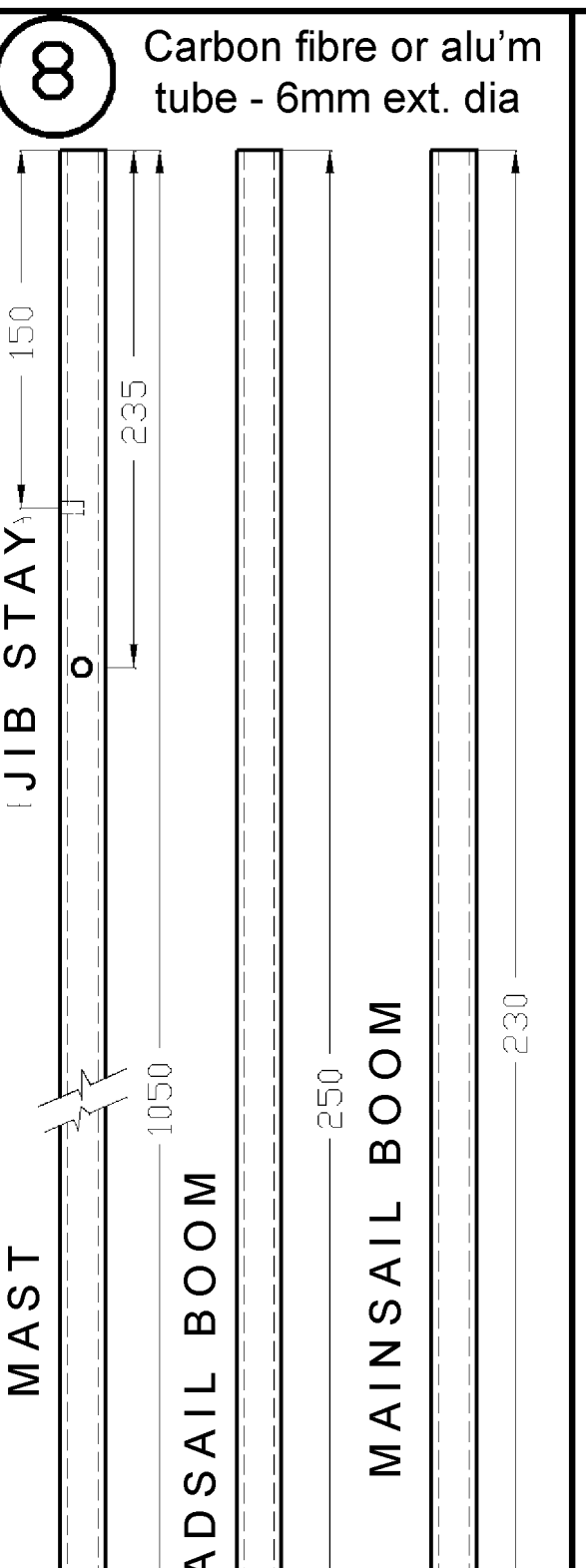
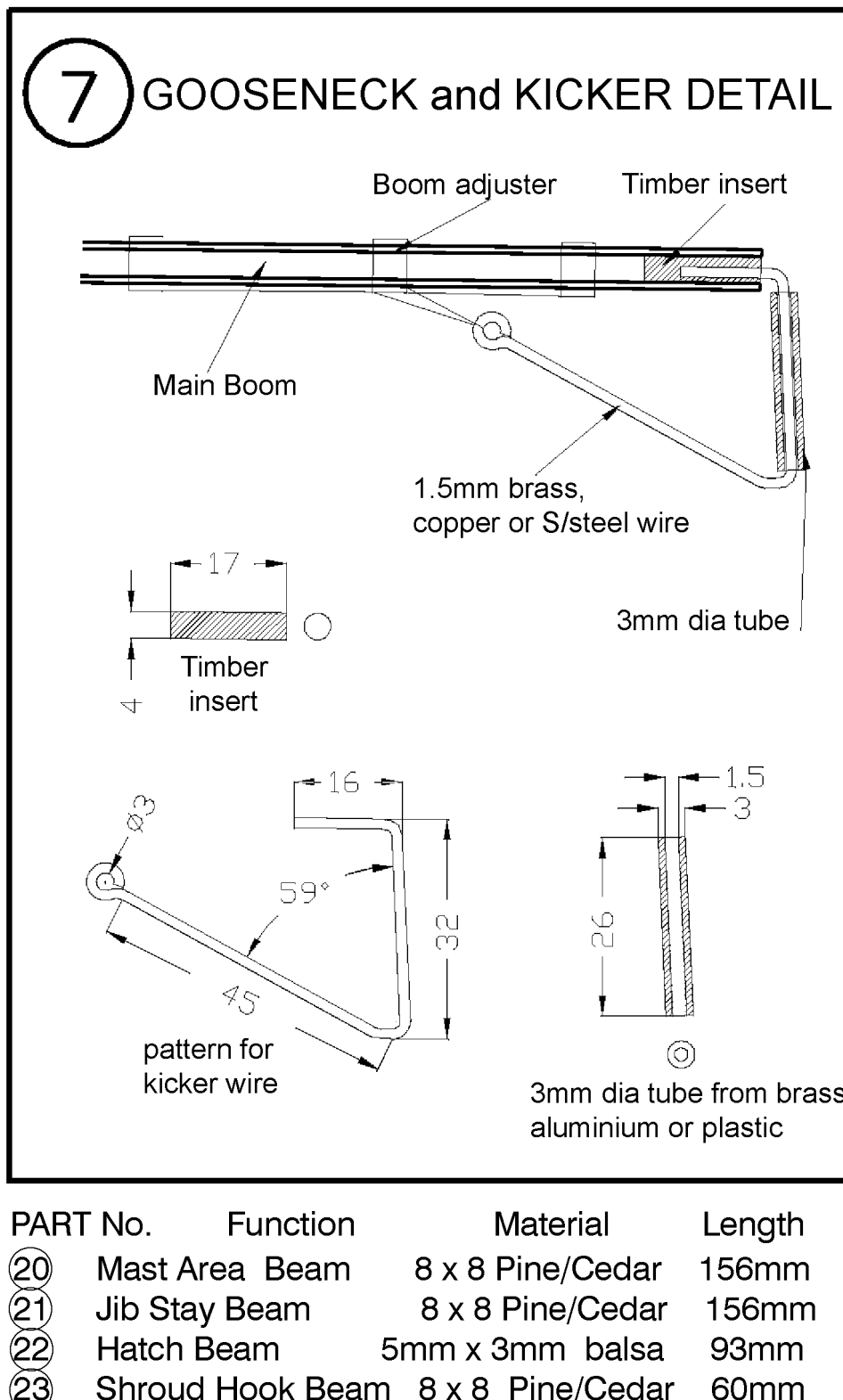
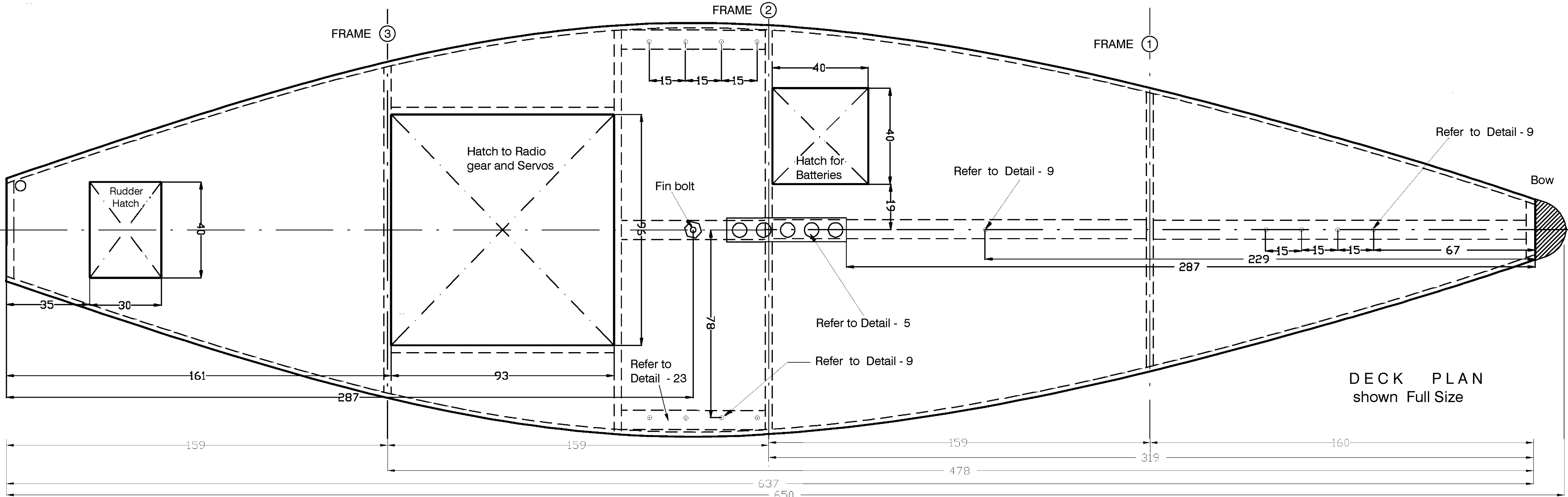
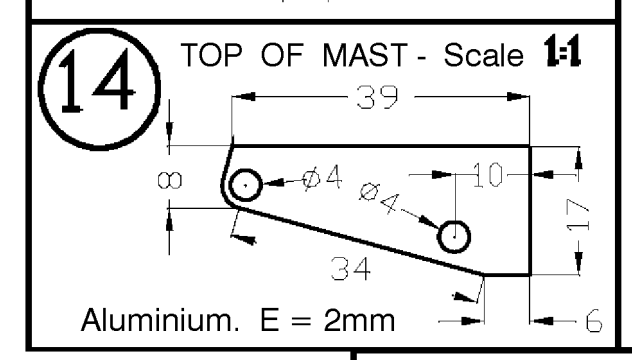
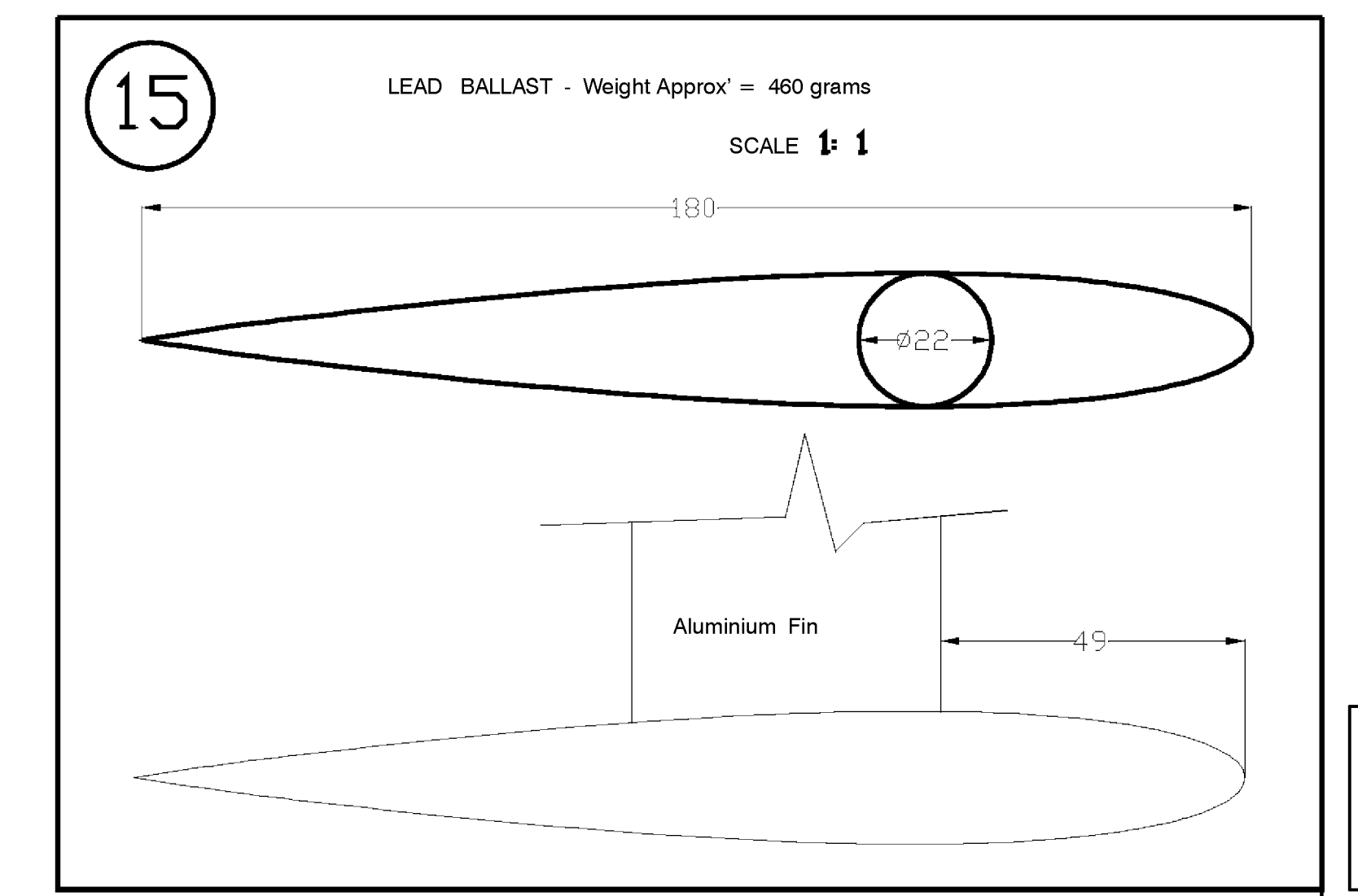
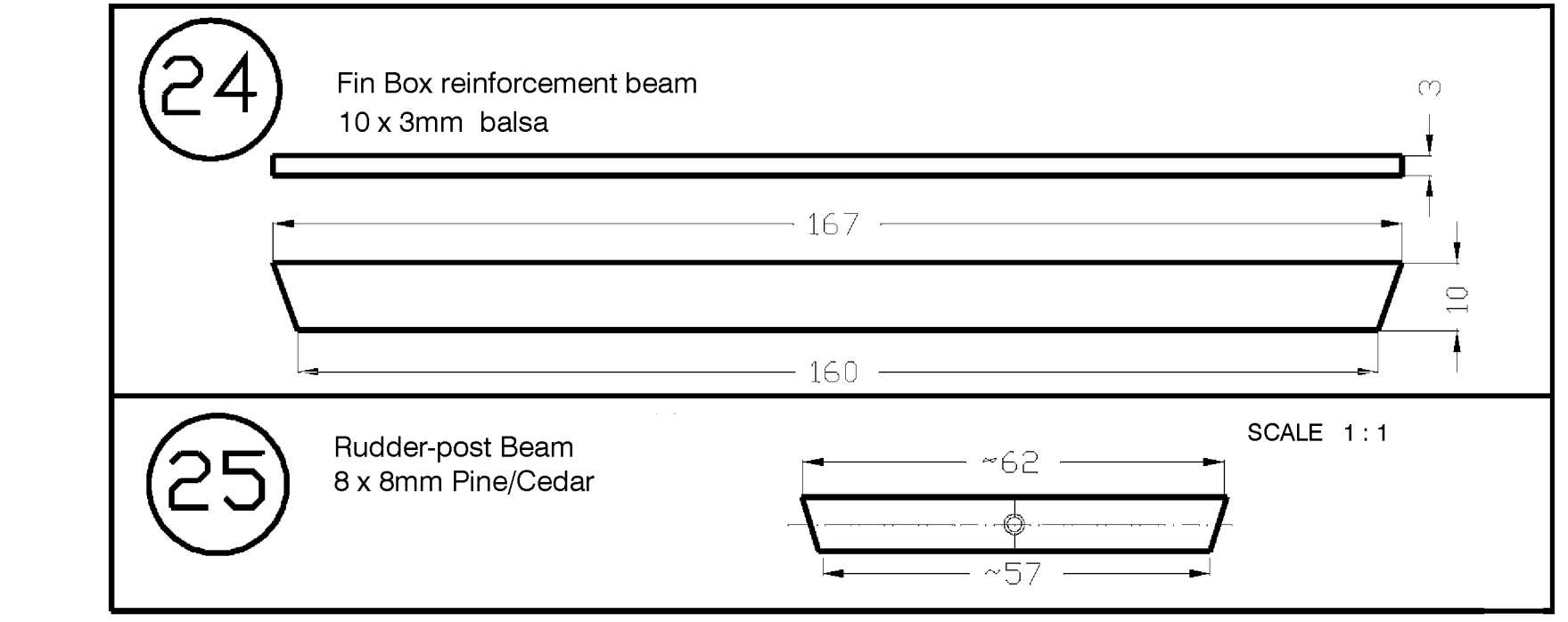
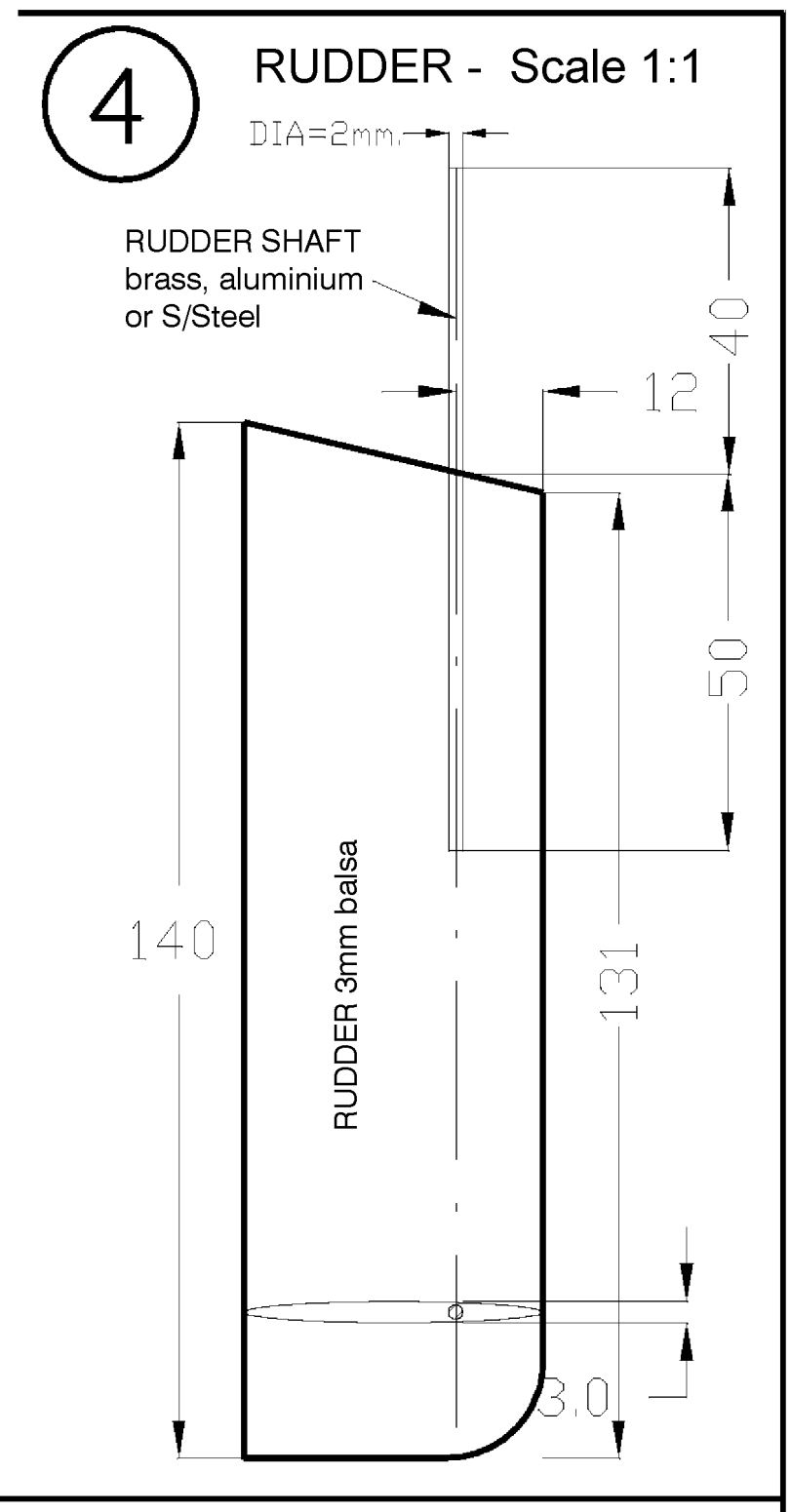
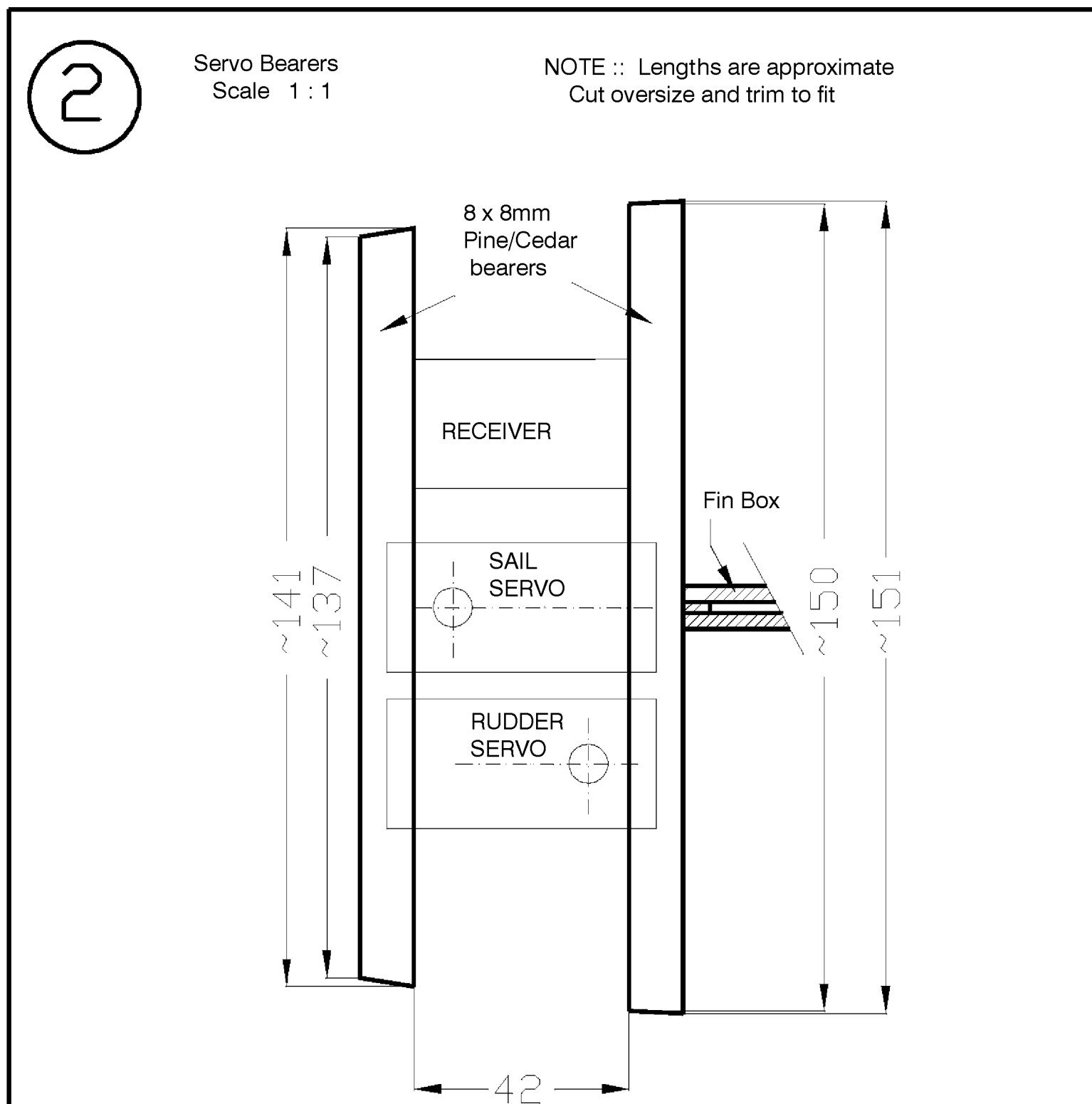
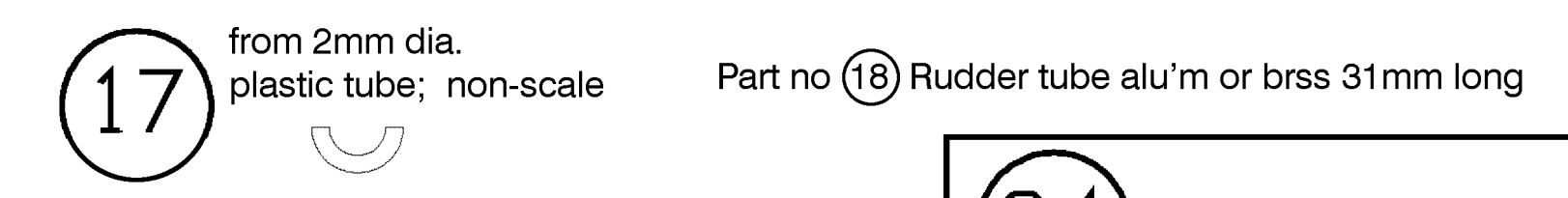
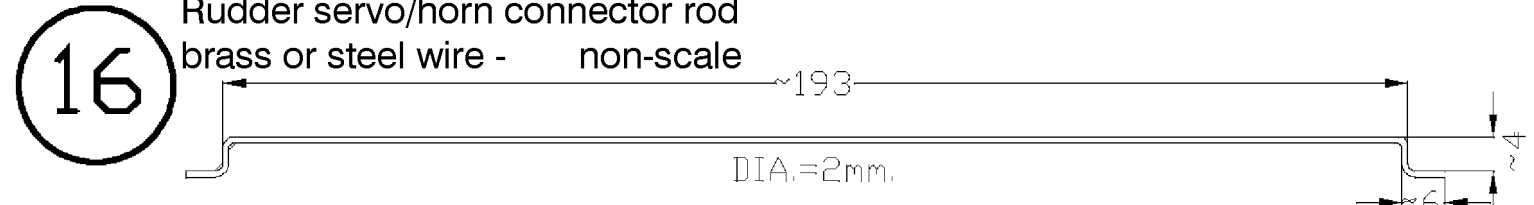


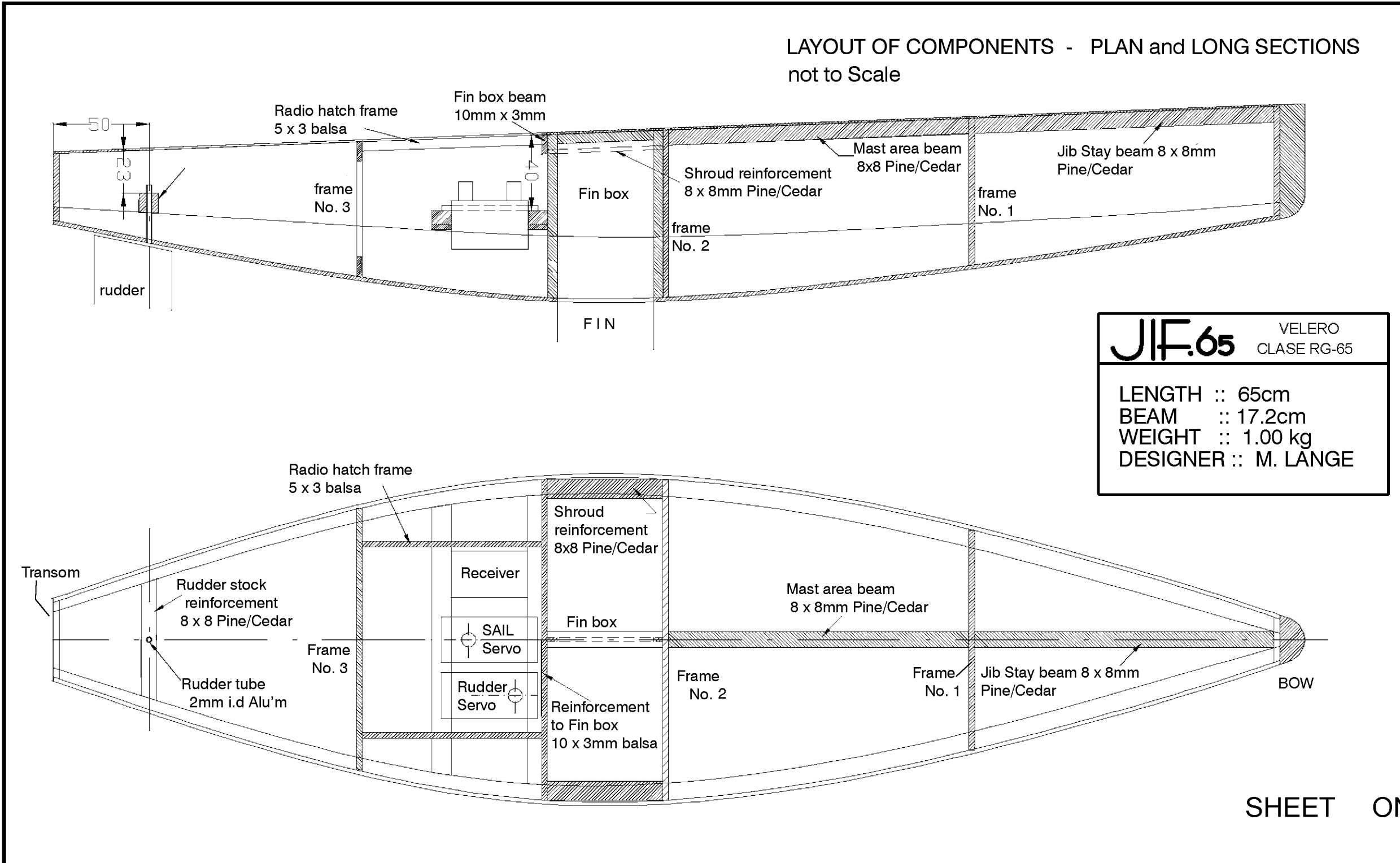
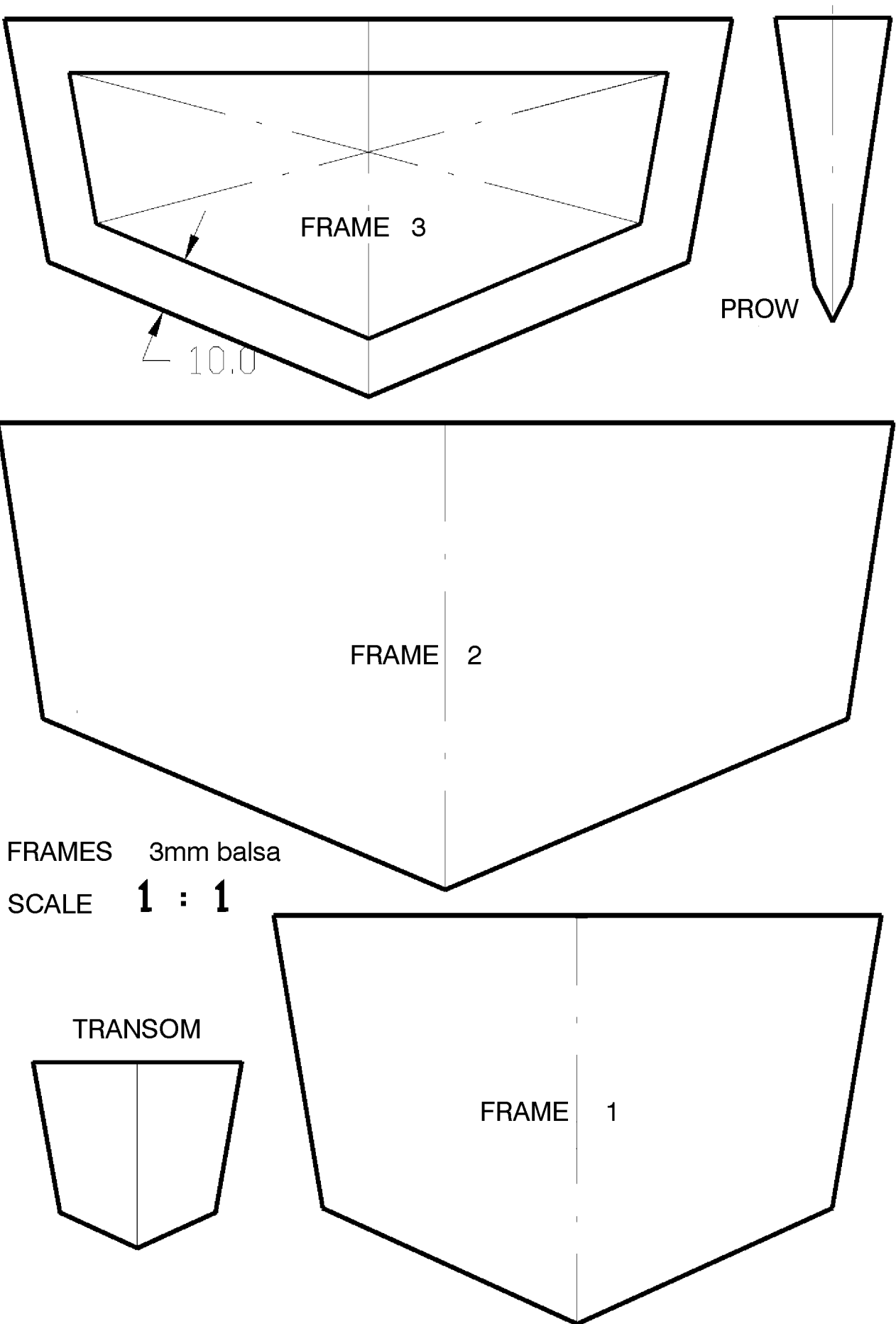
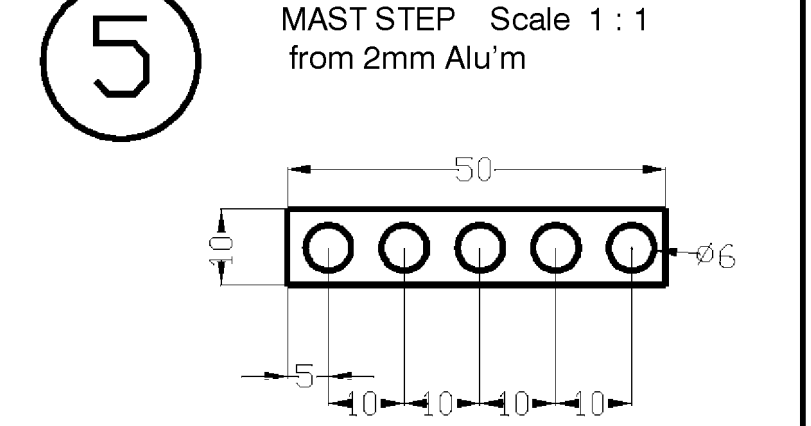
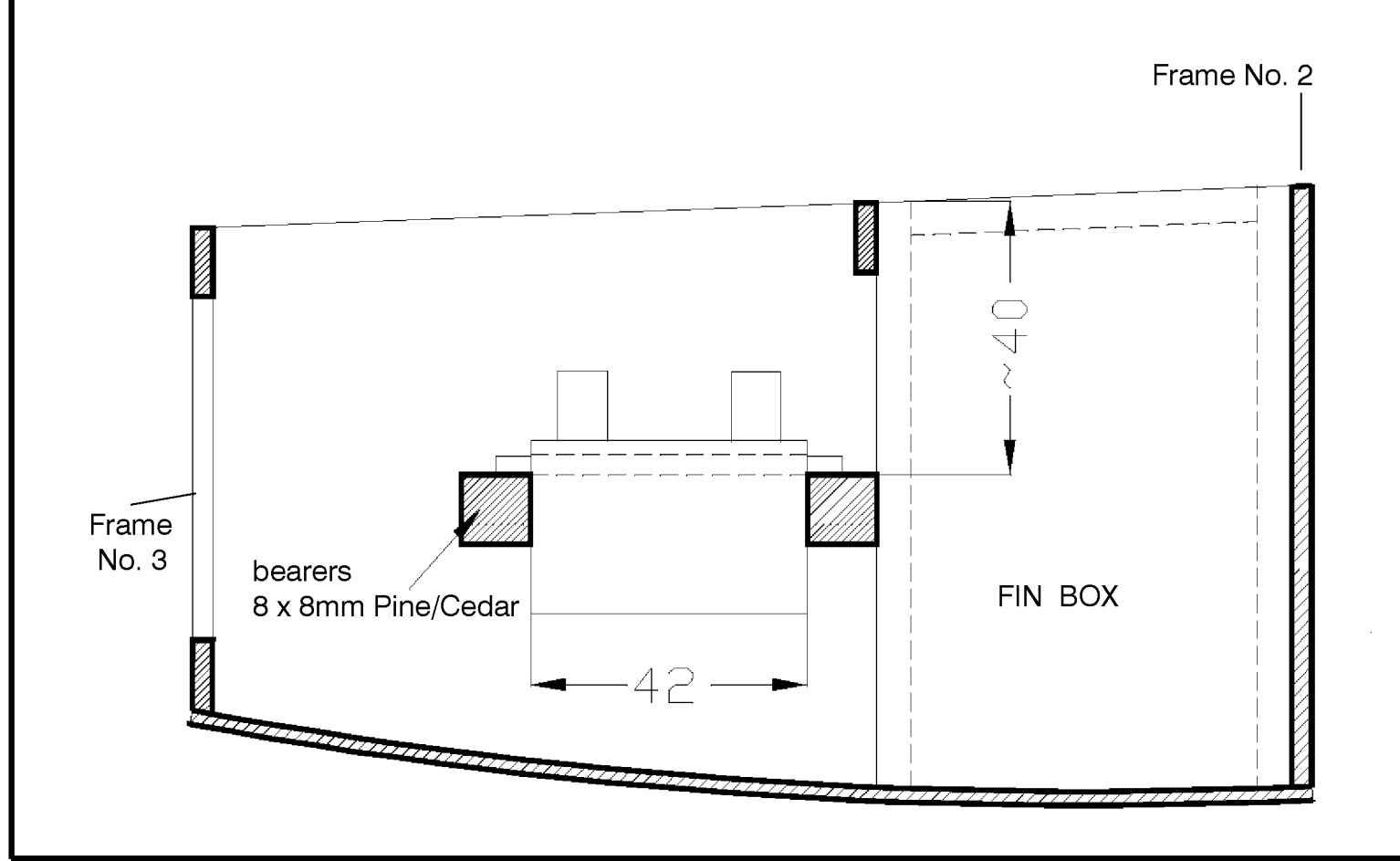
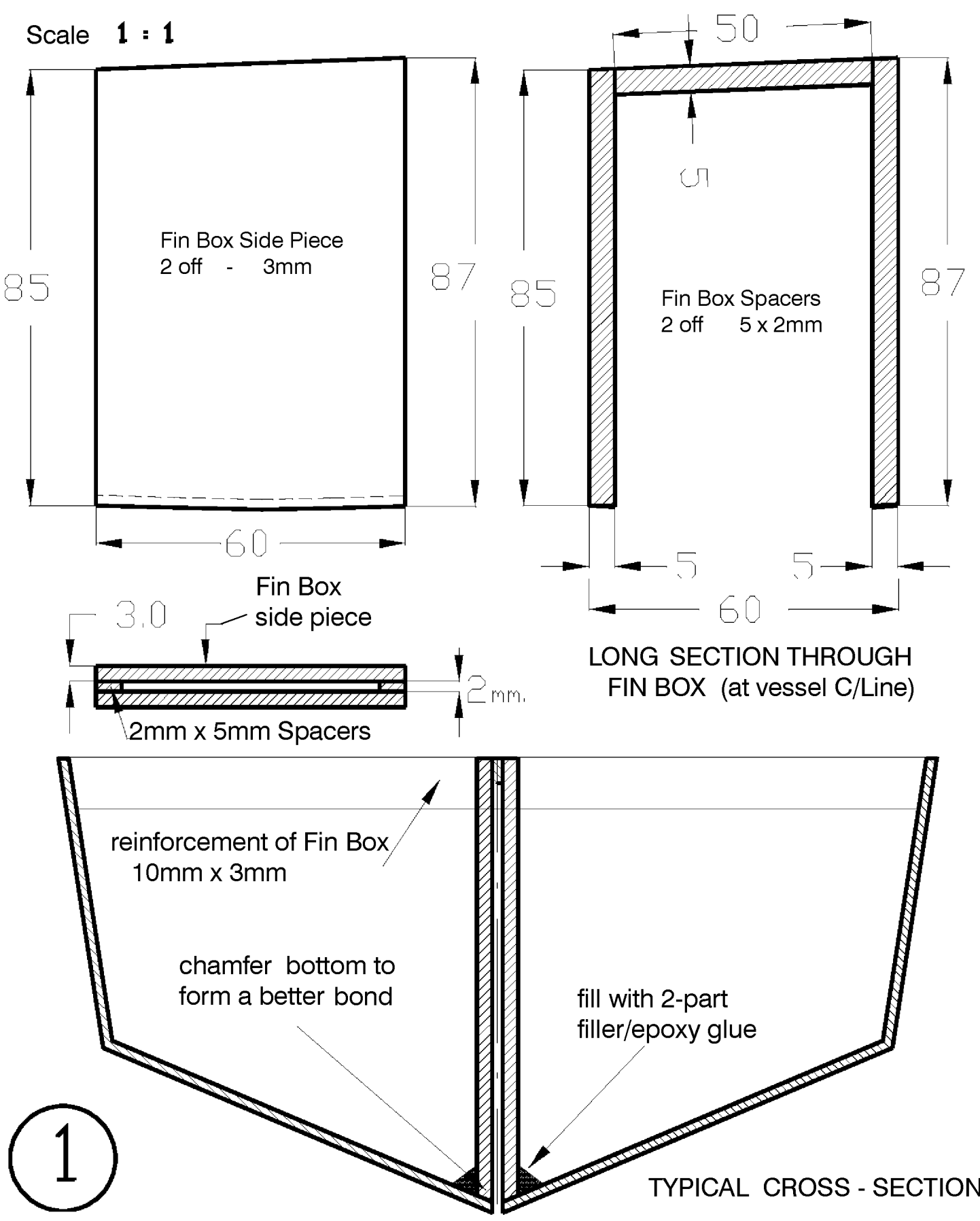
JIF.65 VELERO CLASE RG-65
 LENGTH :: 65cm
 BEAM :: 17.2cm
 WEIGHT :: 1.00 kg
 DESIGNER :: M. LANGE



PART No.	Function	Material	Length
20	Mast Area Beam	8 x 8 Pine/Cedar	156mm
21	Jib Stay Beam	8 x 8 Pine/Cedar	156mm
22	Hatch Beam	5mm x 3mm balsa	93mm
23	Shroud Hook Beam	8 x 8 Pine/Cedar	60mm



NOTE: All Hooks and Deck eyes are from 0.8mm dia, wire



JIF.65 VELERO CLASE RG-65
 LENGTH :: 65cm
 BEAM :: 17.2cm
 WEIGHT :: 1.00 kg
 DESIGNER :: M. LANGE

