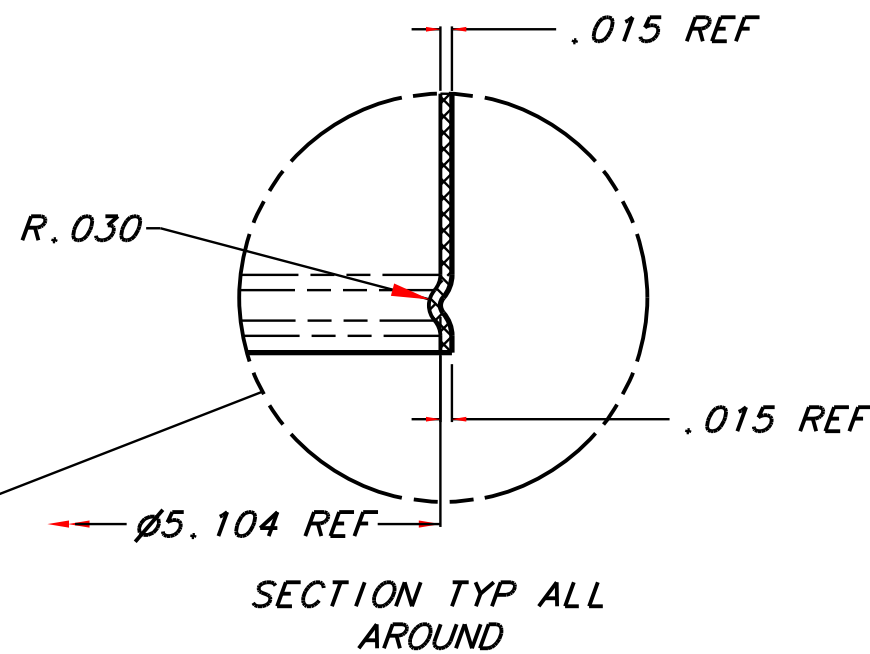
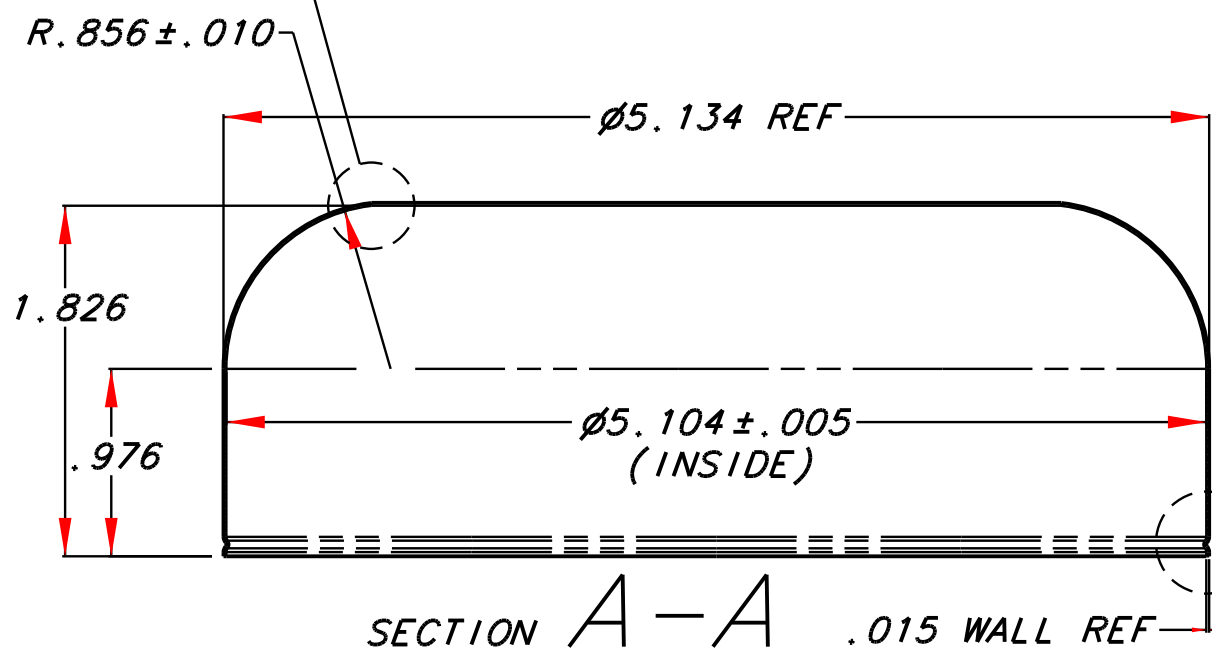
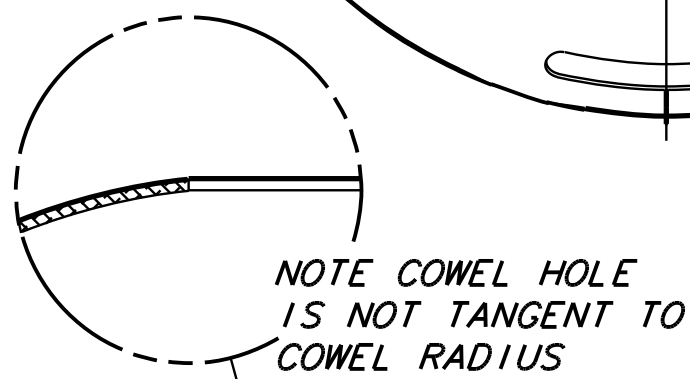
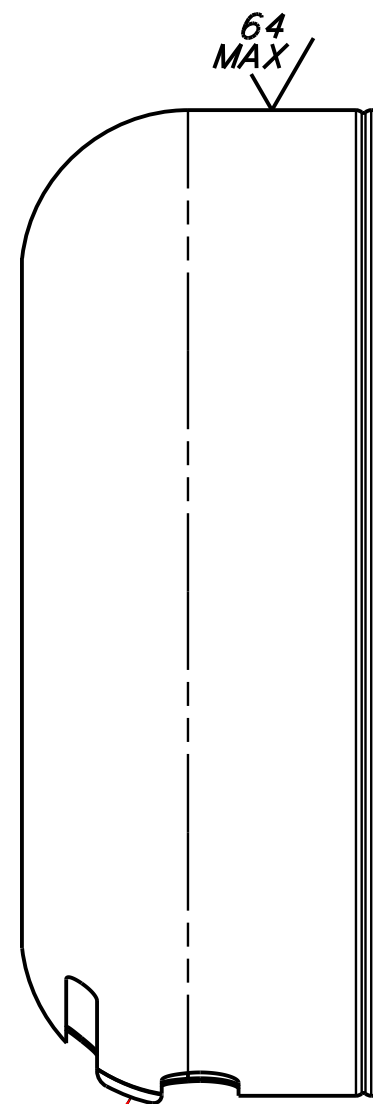
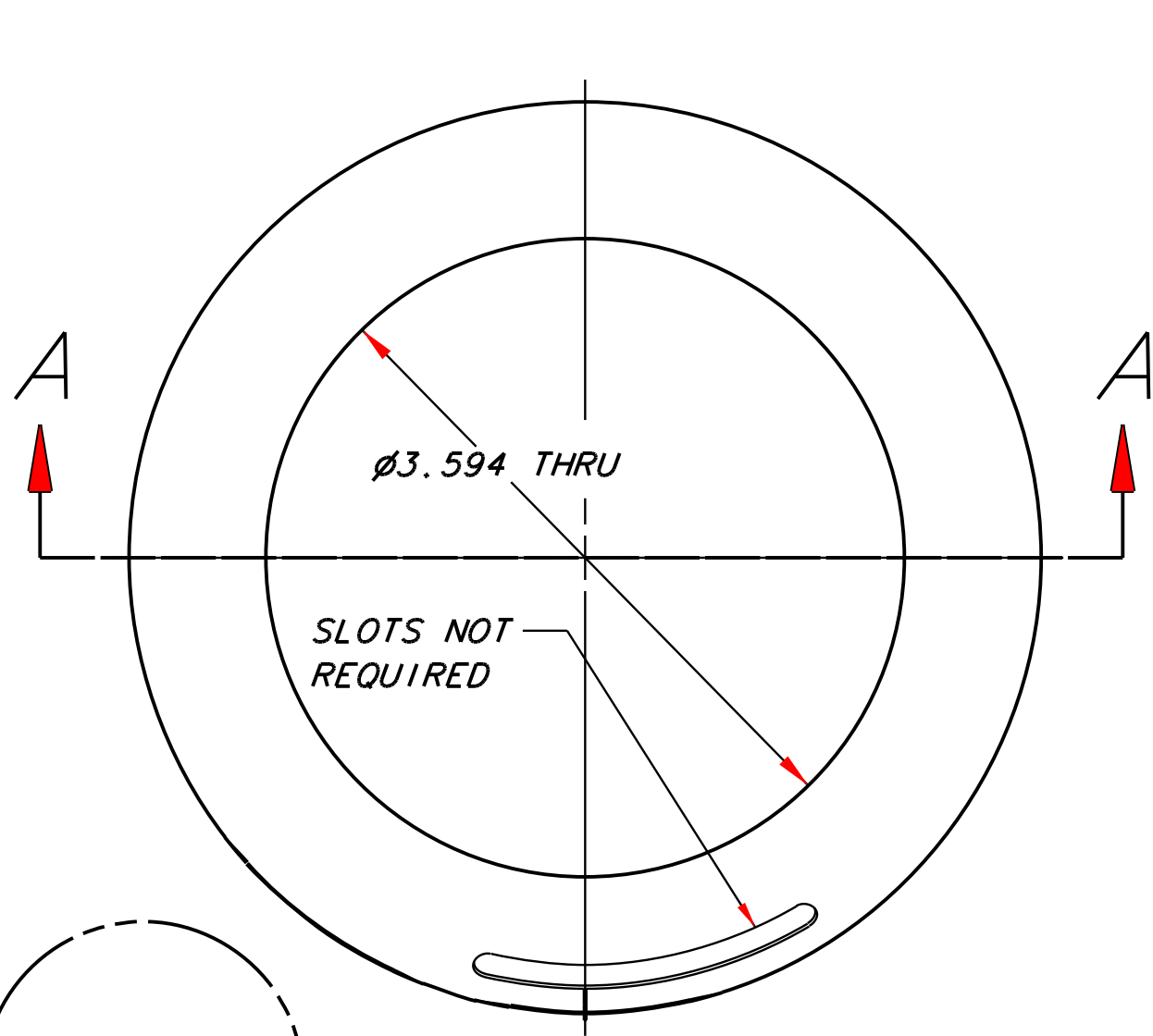
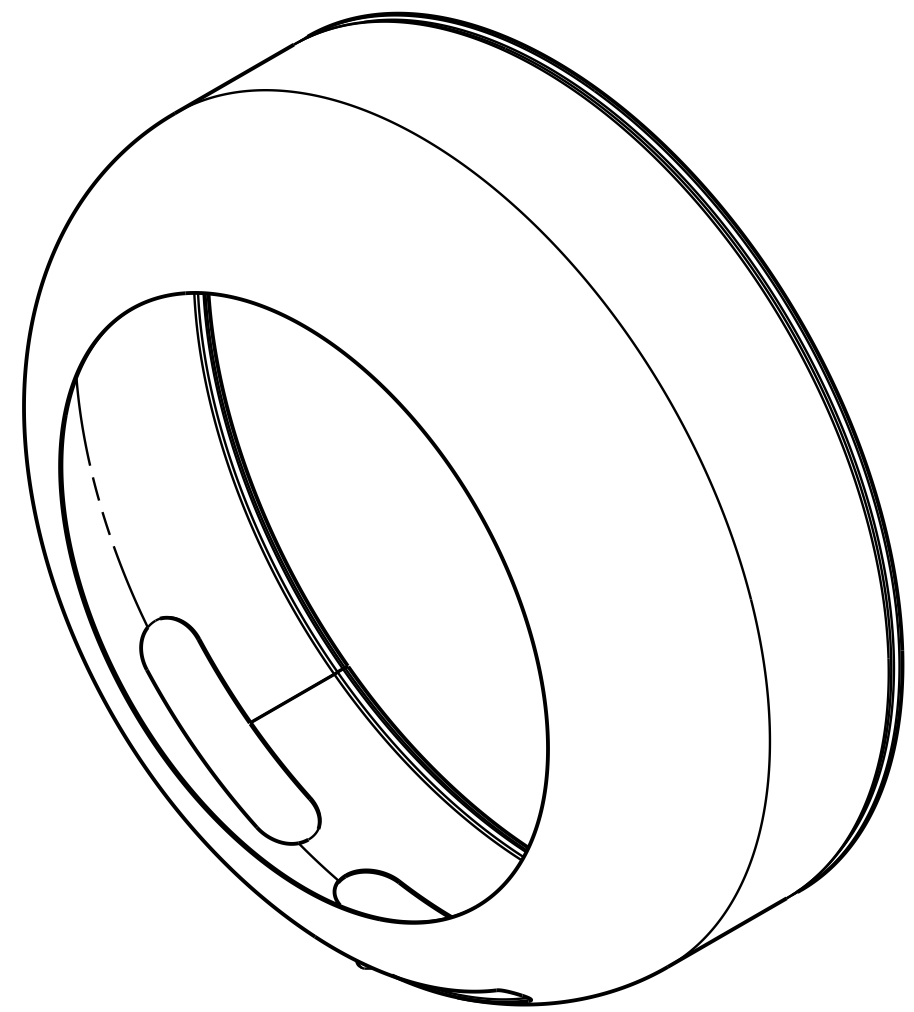
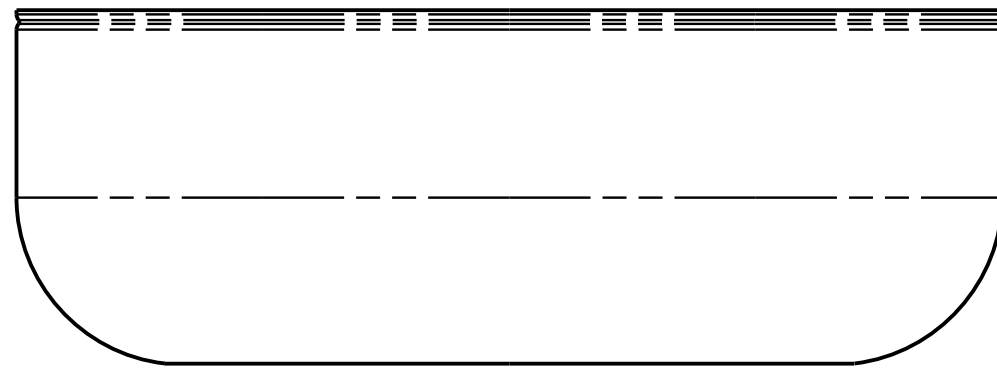


REVISIONS				
ZONE	REV	DESCRIPTION	DATE	APPROVED
NA	01	PRE-RELEASED	04JAN2003	GJT



Although this document is a copyrighted document and may not be used to manufacture in any form, a production kit of this design as shown here, it is given freely to the modeling public via "Hip Pocket Aeronautics" for personal use in creating the model portrayed here. ThomasDesigns retains and reserves the production rights to manufacture the model as shown on these documents.
Signed, Gregory J Thomas' 16apr14, for ThomasDesigns.

NOTES:

- MATERIAL: ALUMINUM, .015 THK AT NET SHAPE - 5052, 2020, 6061 OR 7075. ONCE MATERIAL IS SELECTED BASED ON BEST PRATICES, DRAWING WILL BE CHANGED TO REFLECT VENDORS CHOICE.
- FINISH: 64 MAX AFTER FORMING.

QTY	REQD	FSCM NO	PART OR IDENTIFYING NO	NOMENCLATURE OR DESCRIPTION	MATERIAL SPECIFICATION	ITEM NO
PARTS LIST						
UNLESS OTHERWISE SPECIFIED DIMENSIONS ARE IN INCHES TOLERANCES ARE:		CONTRACT NO.		MATERIAL: CARBON STEEL AISI 1035 TO 1060, OR SST. #.0475		
FRACTIONS DECIMALS ANGLES		DRAWN		G THOMAS 03JAN2003		
± .XX-.01		CHECKED		DATE		
± .XXX-.005		ISSUED		G THOMAS 03JAN2003		
DO NOT SCALE DRAWING		TREATMENT		TITLE		
FINISH		SIMILAR TO		THOMAS DESIGNS		
NPT-27		ACT. WT		505 WILDFLOWER, BURNSVILLE, MN 55306		
CALC WT		SCALE		COWEL, SOPWITH TRIPE- 1/8 SCALE		
				SIZE FSCM NO. DWG NO.		
				B SW-446		
				SHEET 1 OF 1		