

# AILERON & FLAP SERVO POSITION (FLAT)

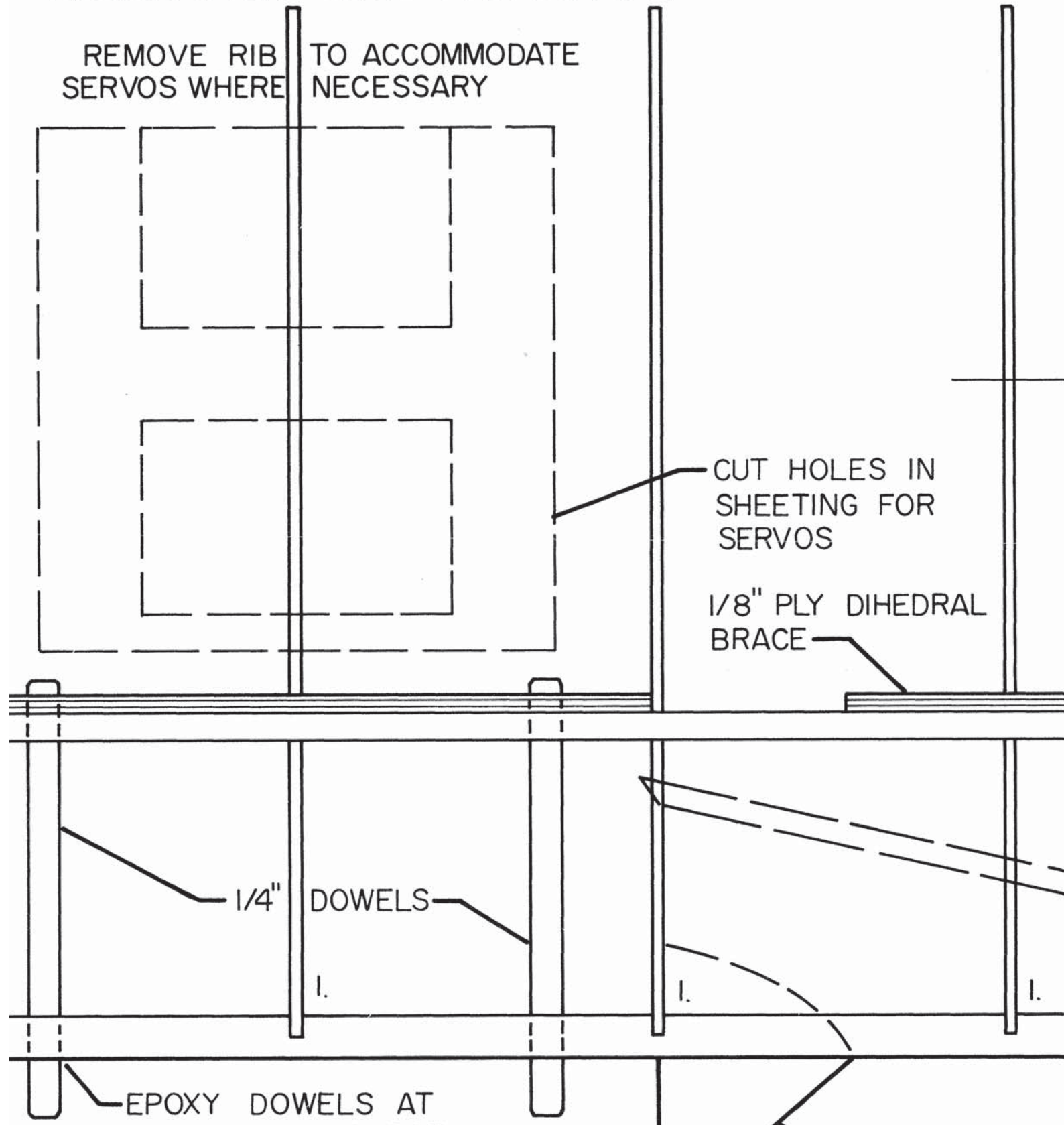
REMOVE RIB TO ACCOMMODATE  
SERVOS WHERE NECESSARY

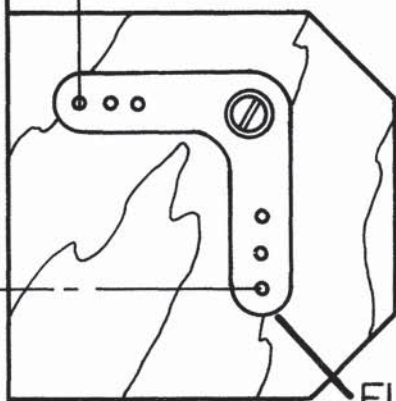
CUT HOLES IN  
SHEETING FOR  
SERVOS

1/8" PLY DIHEDRAL  
BRACE

1/4" DOWELS

EPOXY DOWELS AT





1/16"  
PLY  
PLATE

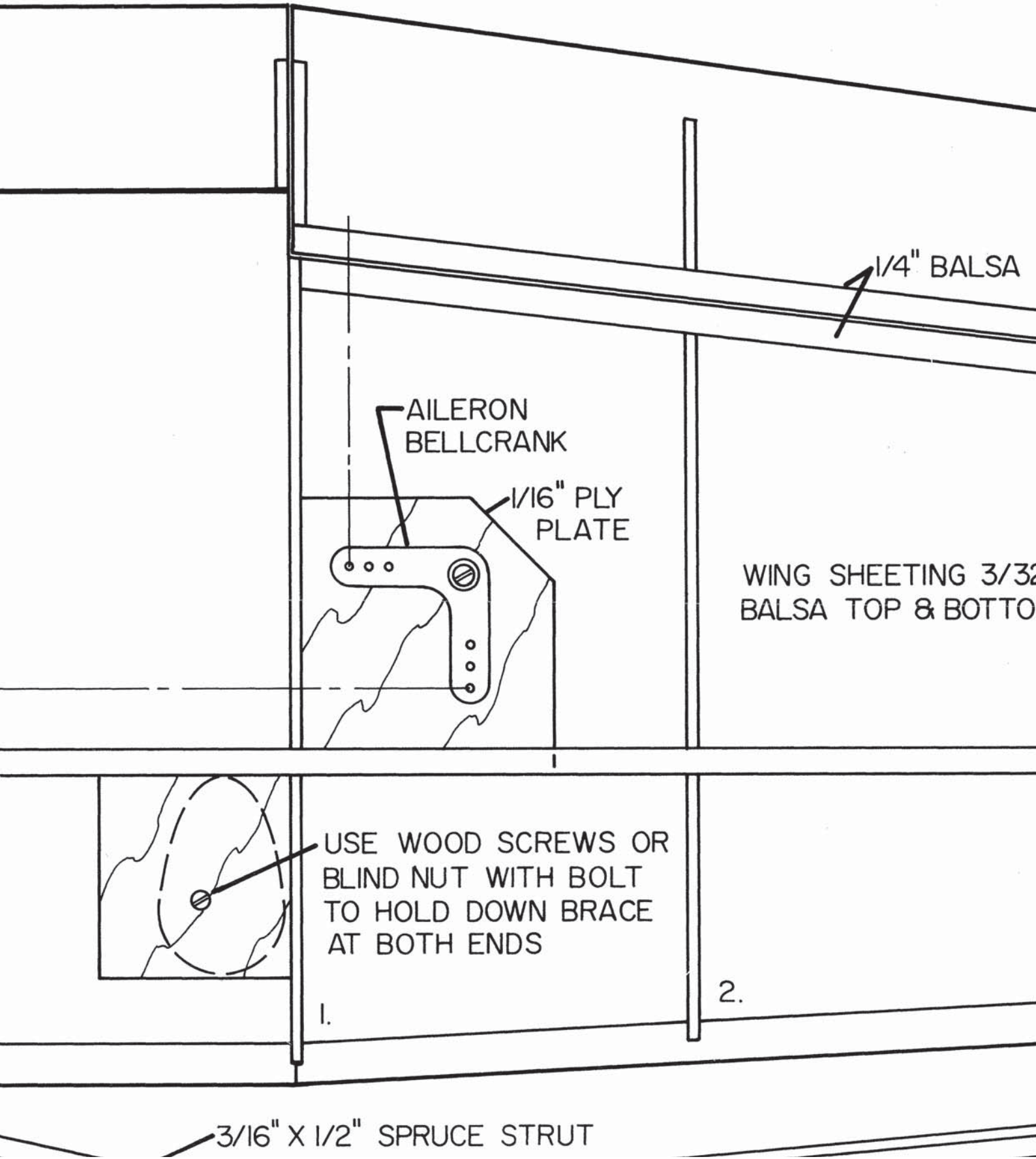
FLAP  
BELLCRANK

FLAP OUTLINE IF  
FLAPS ARE USED  
CONST. SAME AS  
AILERONS

3/16" SQ. SPRUCE  
SPARS

3/8" SQ. BALSA  
LEADING EDGE





1/4" Balsa

AILERON BELLCRANK

1/16" PLY PLATE

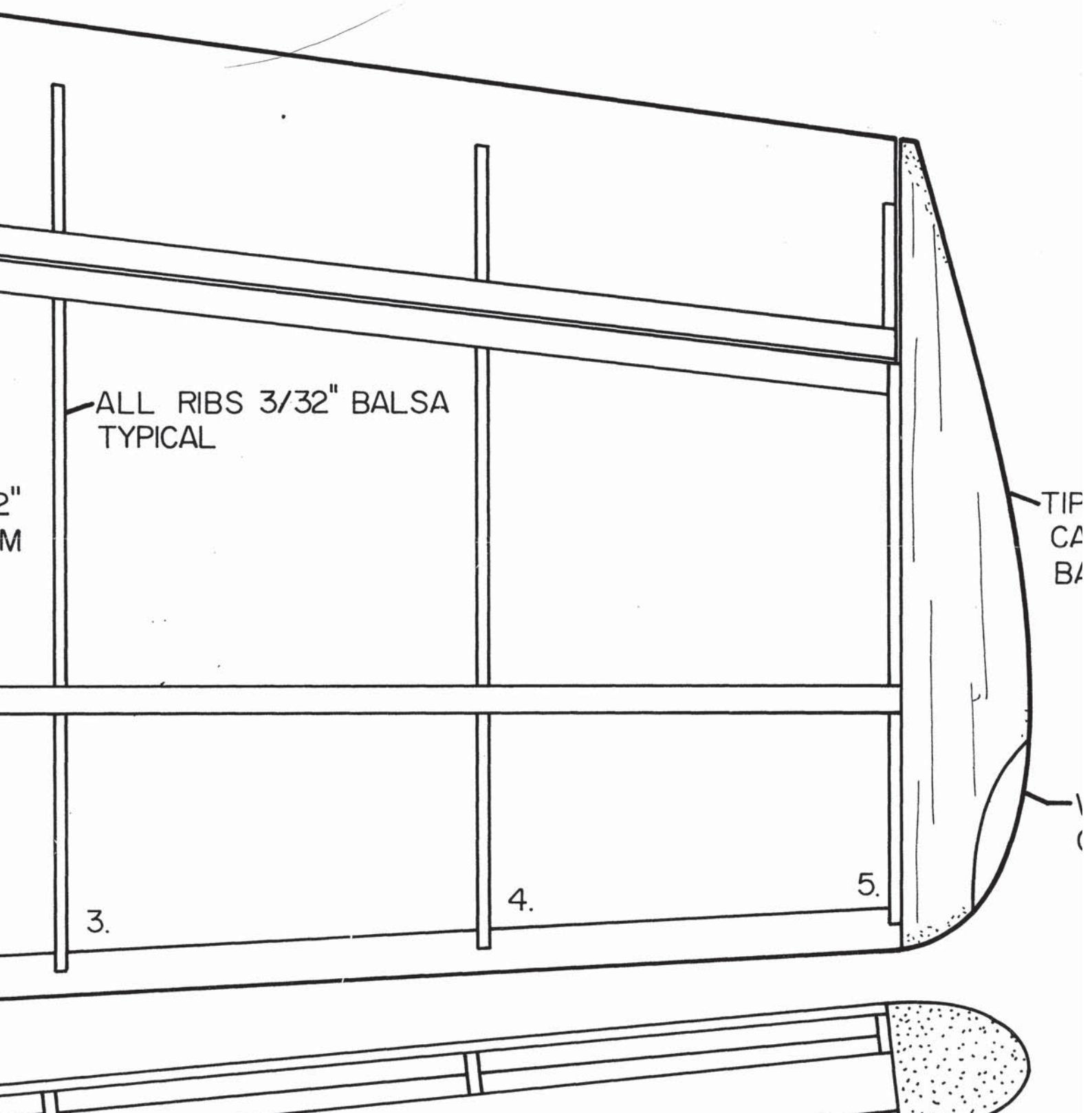
WING SHEETING 3/32 Balsa TOP & BOTTOM

USE WOOD SCREWS OR BLIND NUT WITH BOLT TO HOLD DOWN BRACE AT BOTH ENDS

3/16" X 1/2" SPRUCE STRUT

1.

2.



ALL RIBS 3/32" BALSA  
TYPICAL

TIP  
CA  
BA

3.

4.

5.

2"  
M