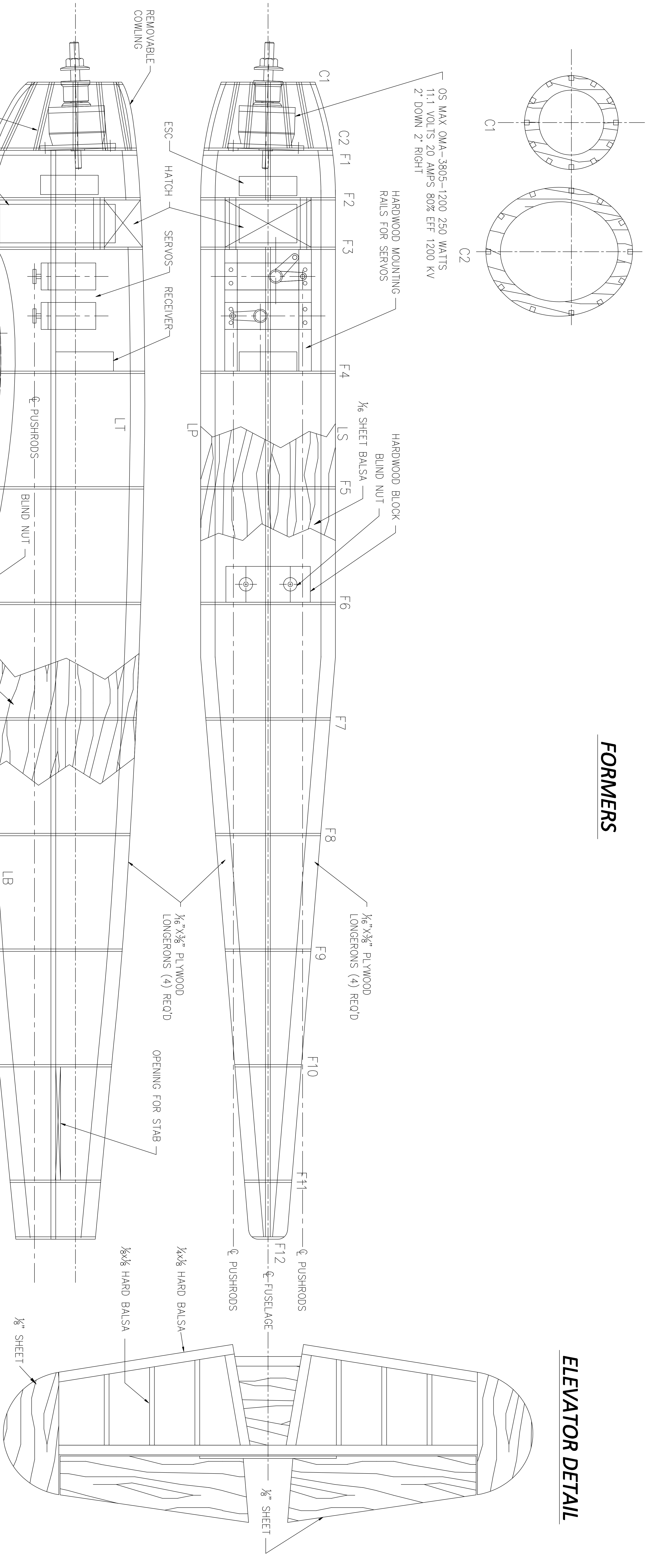
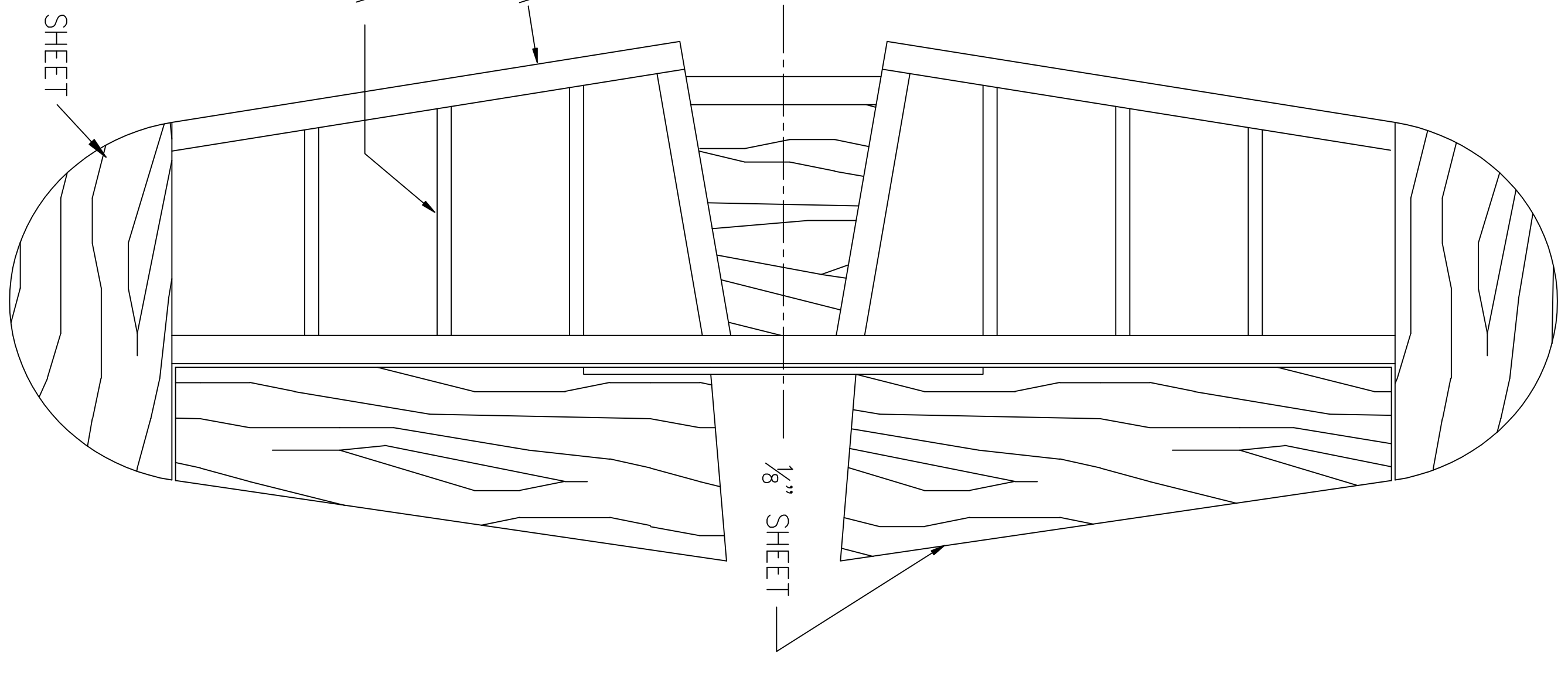


FORMERS

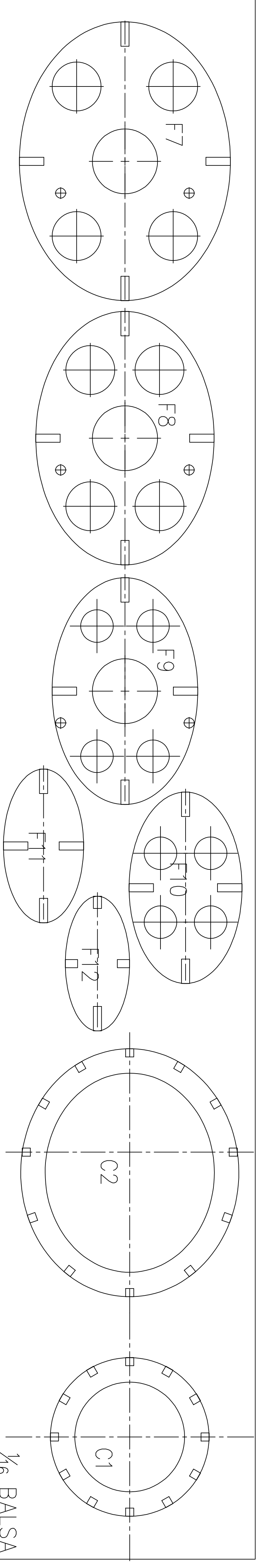
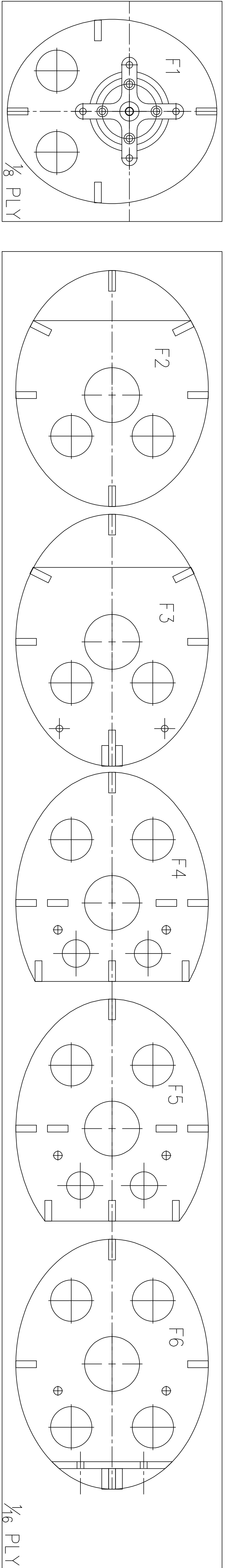
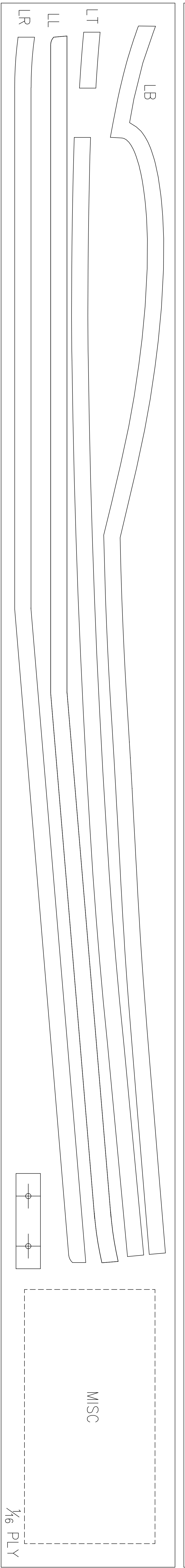
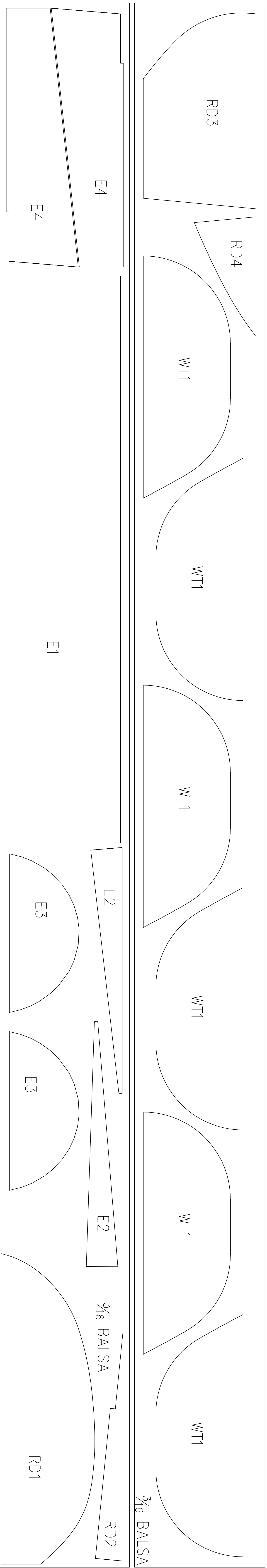
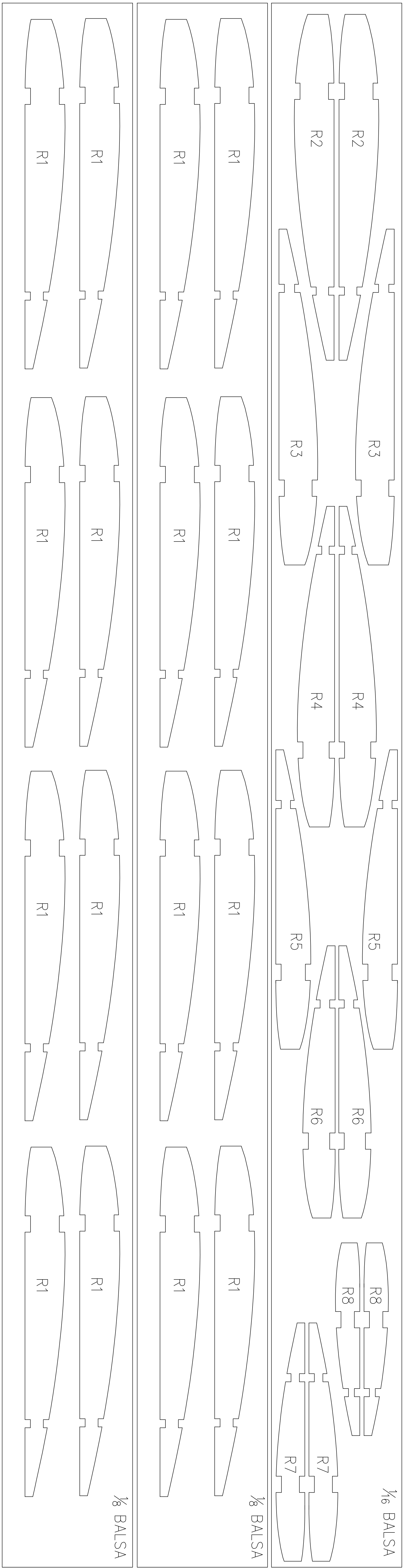


ELEVATOR DETAIL



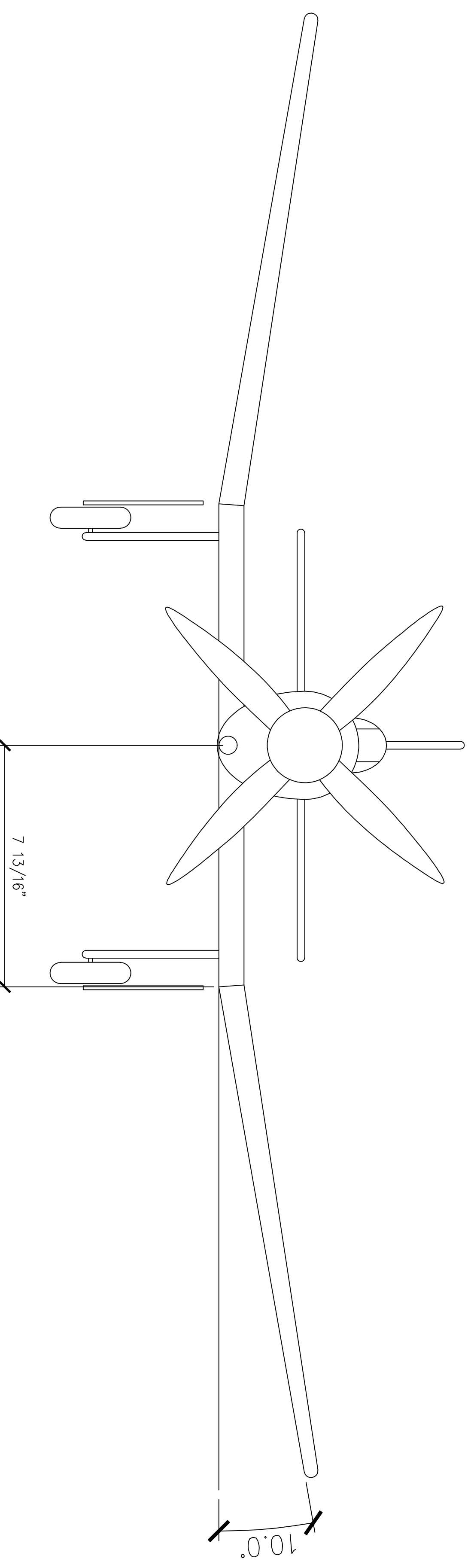
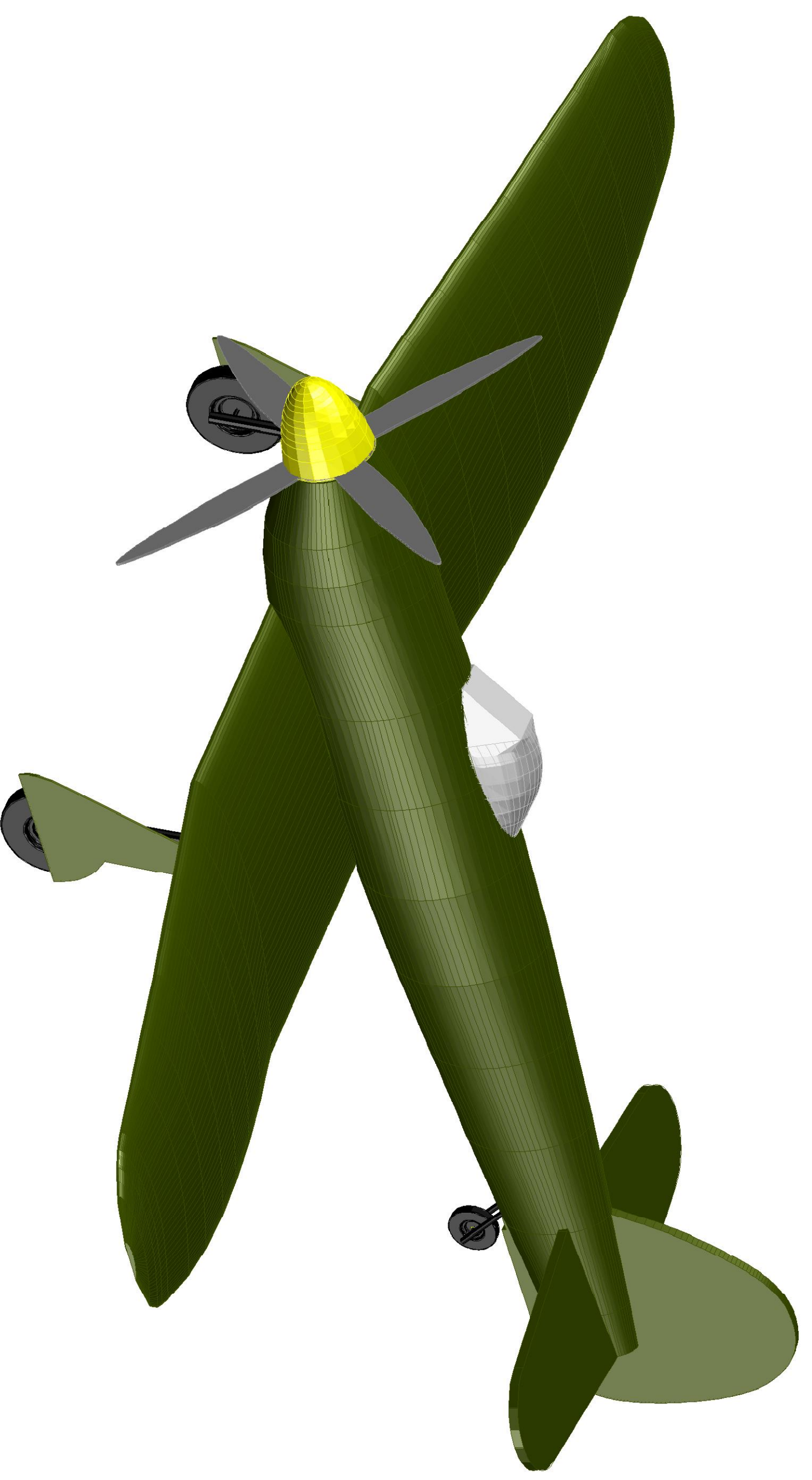
Rev	Date	Description
1	9/16/13	Changed skin thickness

Hawker Tempest Mk-1
FUSELAGE DETAILS
 Wing Span - 48"
 Wing Area - 387 sq in
 Length - 35"
 Est. Weight 30 oz - Wing Loading - 11.1 oz/sq ft
 Adapted by Old Pilot
 Page 2 of 3



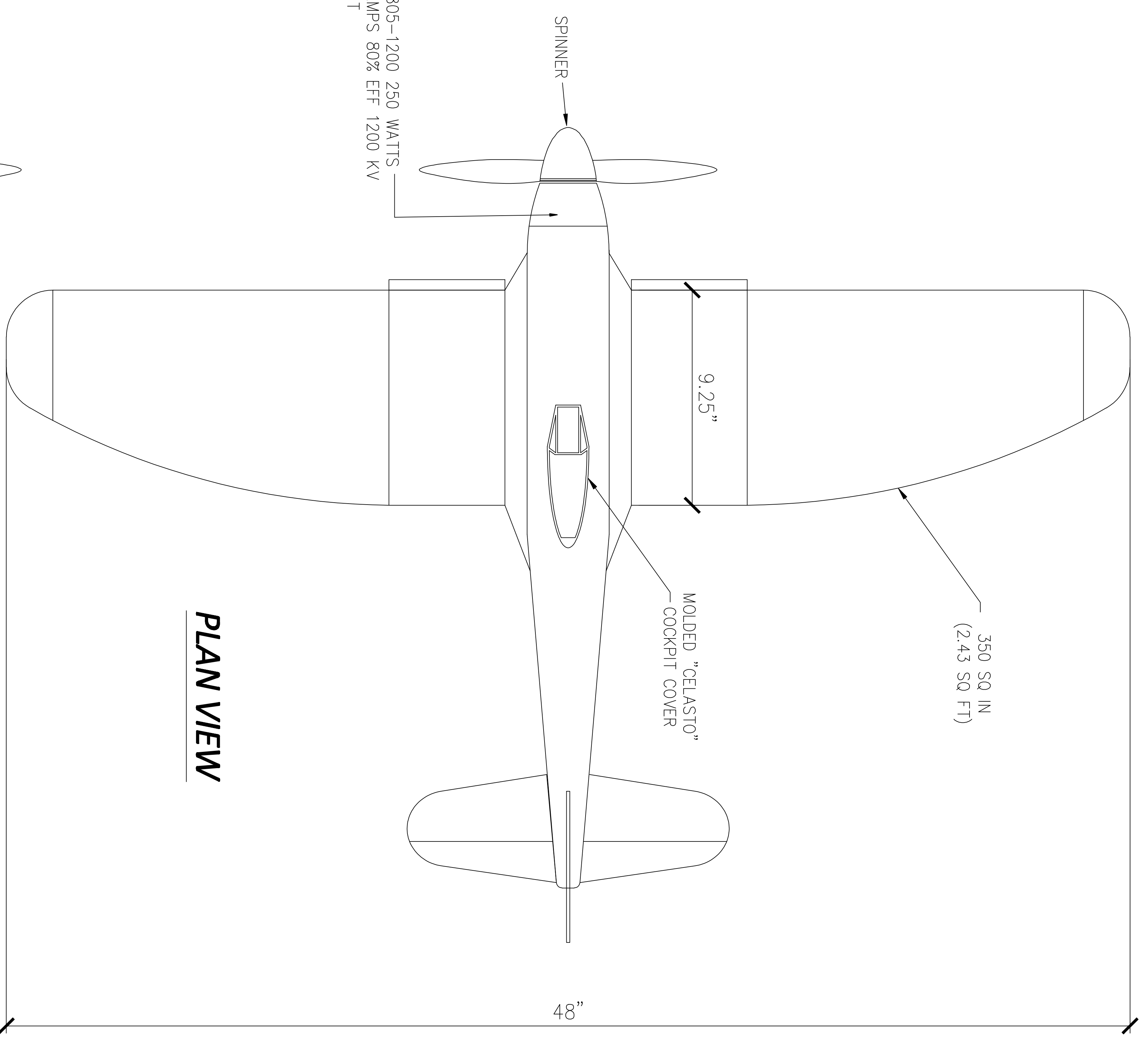
Rev	Date	Description
-	-	-

Hawker Tempest Mk-1
PRINTWOOD
 Wing Span - 48"
 Wing Area - 387 sq in
 Length - 35"
 Est. Weight 30 oz - Wing Loading - 11.1 oz/sq ft
 Adapted by Old Pilot
 Page 2 of 3



FRONT VIEW

OS MAX OMA-3805-1200 250 WATTS
 11.1 VOLTS 20 AMPS 80% EFF 1200 KV
 3° DOWN 3° RIGHT



PLAN VIEW



SIDE VIEW

Hawker Tempest Mk-1

3-VIEW

Wing Span - 48"
 Wing Area - 387 sq in
 Length - 35"
 Est Weight - 30 oz Wing Loading = 11.1 oz/ft²
 Adapted by Old Pilot
 Page 3 of 3