

Condor Magic EVO 4

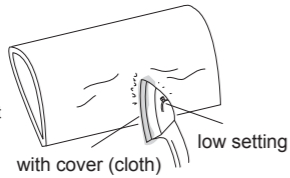
INSTRUCTION MANUAL

BEFORE YOU BEGIN

- Assemble left and right sides the same way.
- Must be purchased separately!
- Drill holes with the specified diameter (here: 2mm).
- Cut off shaded portion.
- Apply epoxy glue.
- Pay close attention here!
- Ensure smooth non-binding movement while assembling.
- Apply instant glue (CA glue, super glue).
- 警告** Warning! Do not overlook this symbol!

The pre-covered film on ARF kits may wrinkle due to variations of temperature. Smooth out as explained below.

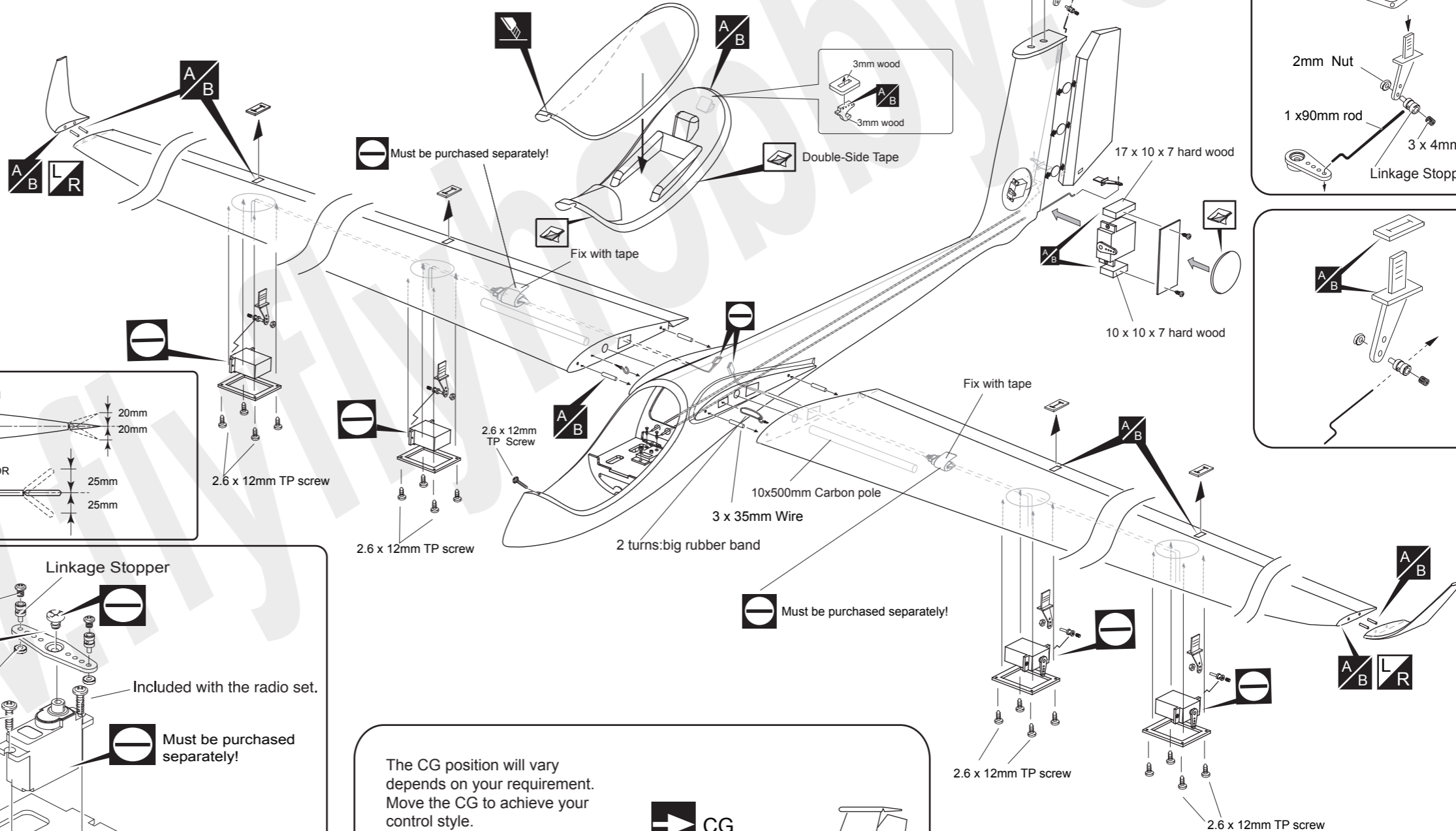
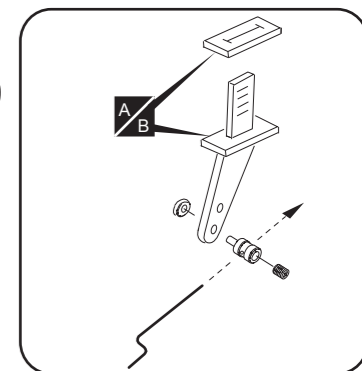
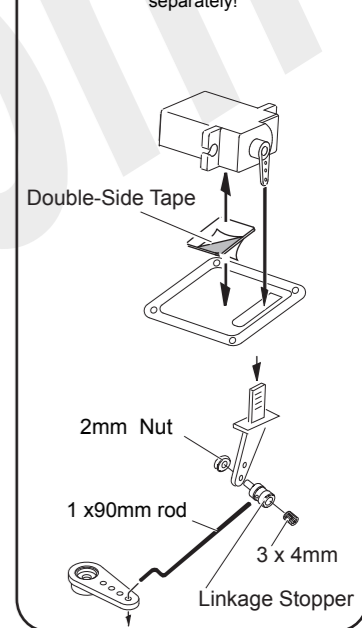
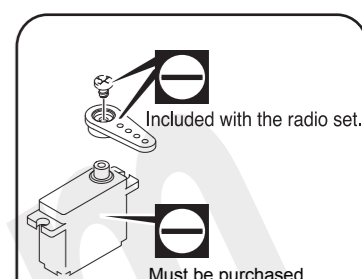
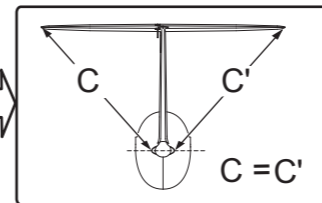
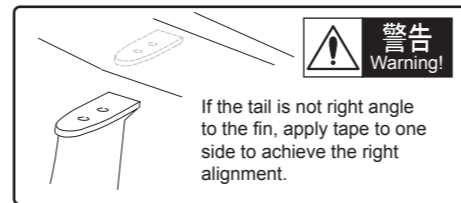
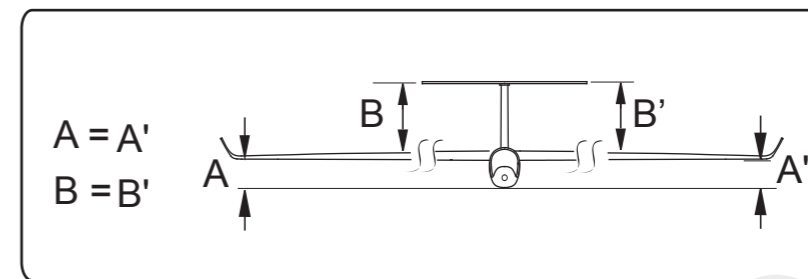
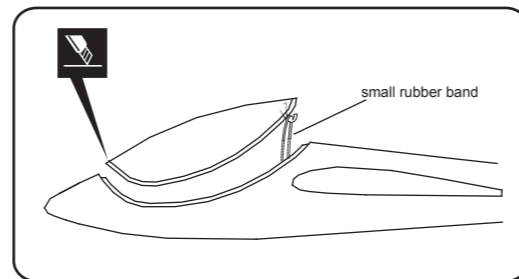
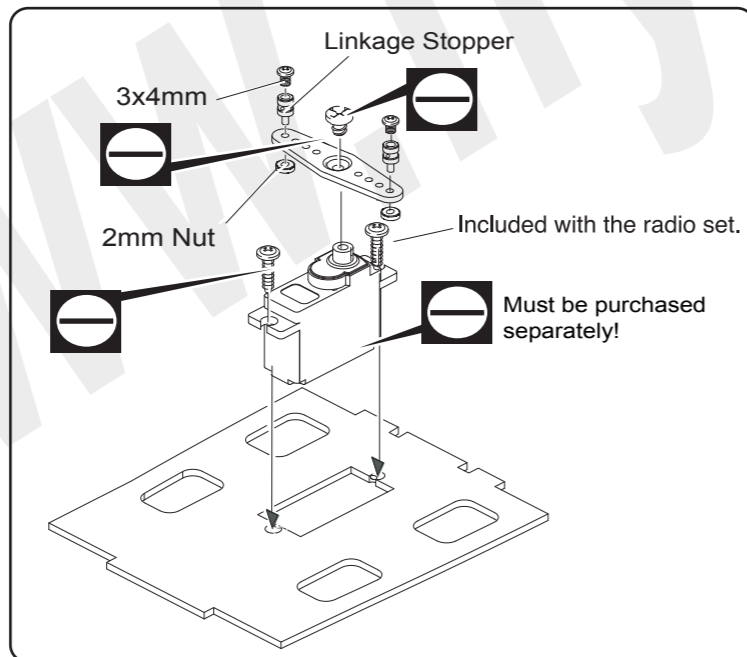
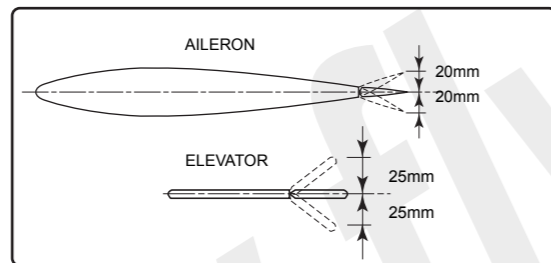
Use an iron covered with a cloth! Start at low setting. Increase the setting if necessary. If it is too high, you may damage the film.



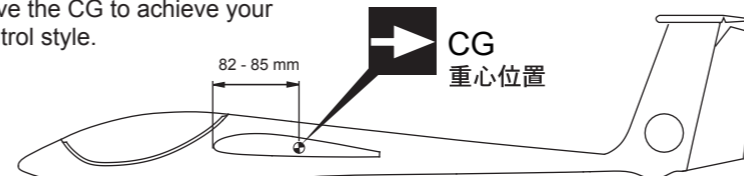
SPECIFICATIONS

- Wing Span..... 3000 mm
- Weight..... 1700 - 1900g
- Length..... 1270 mm
- Wing Area..... 50.40 dm²
- Airfoil..... Eppler 205
- Radio..... 6 channel

- | | | |
|--|------------------------|----|
| | Horn | 7 |
| | Linkage stopper | 7 |
| | 2.6 x 12mm TP Screw | 20 |
| | 4 x 20mm Screw | 2 |
| | 4 x 12mm Washer | 2 |
| | Ø10 x 500mm Carbon rod | 1 |
| | Ø3x 35mm wire | 4 |
| | Ø1 x 90mm wire | 4 |
| | Ø1.5x 150mm wire | 1 |
| | Ø1 x 1000mm wire | 2 |
| | Hook | 2 |
| | 3mm plywood | 1 |
| | 17x10x7mm hard wood | 1 |
| | 10x10x7mm hard wood | 1 |
| | plastic plate | 1 |
| | plastic plate | 1 |
| | fiber hinge | 3 |
| | rubber band | 2 |



The CG position will vary depends on your requirement. Move the CG to achieve your control style.



Designed and Manufactured by
FlyFly Hobby Mfg.
info@flyflyhobby.com
http://www.flyflyhobby.com

