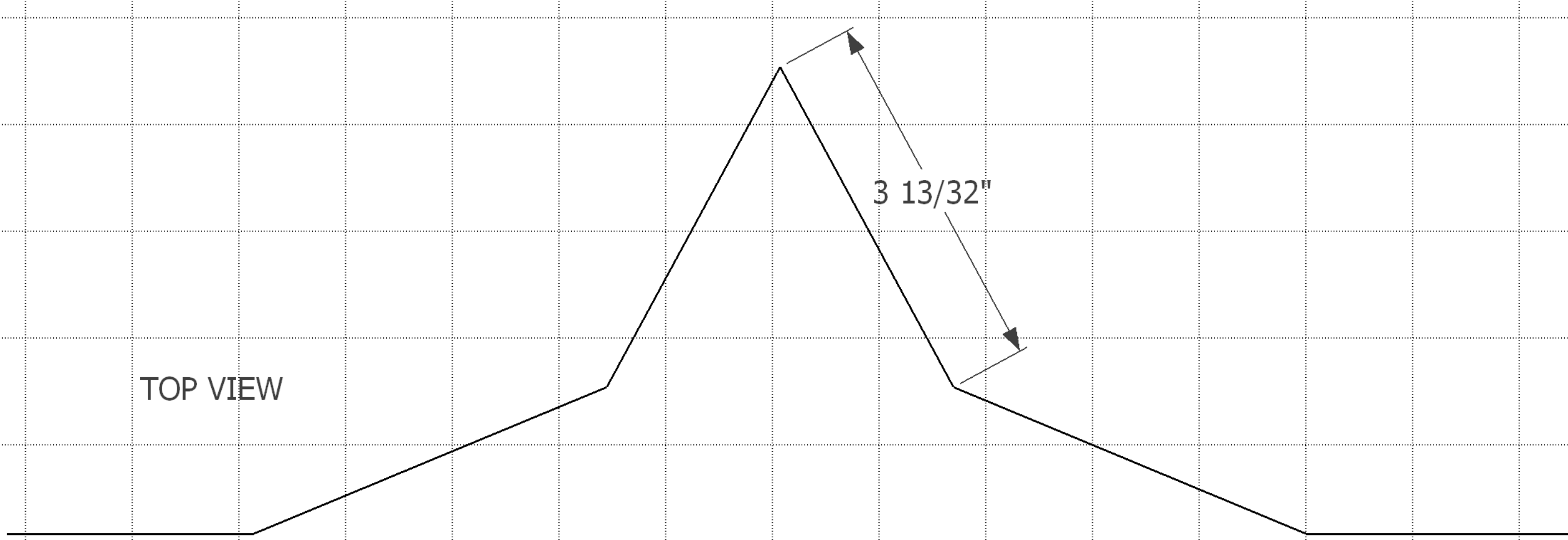
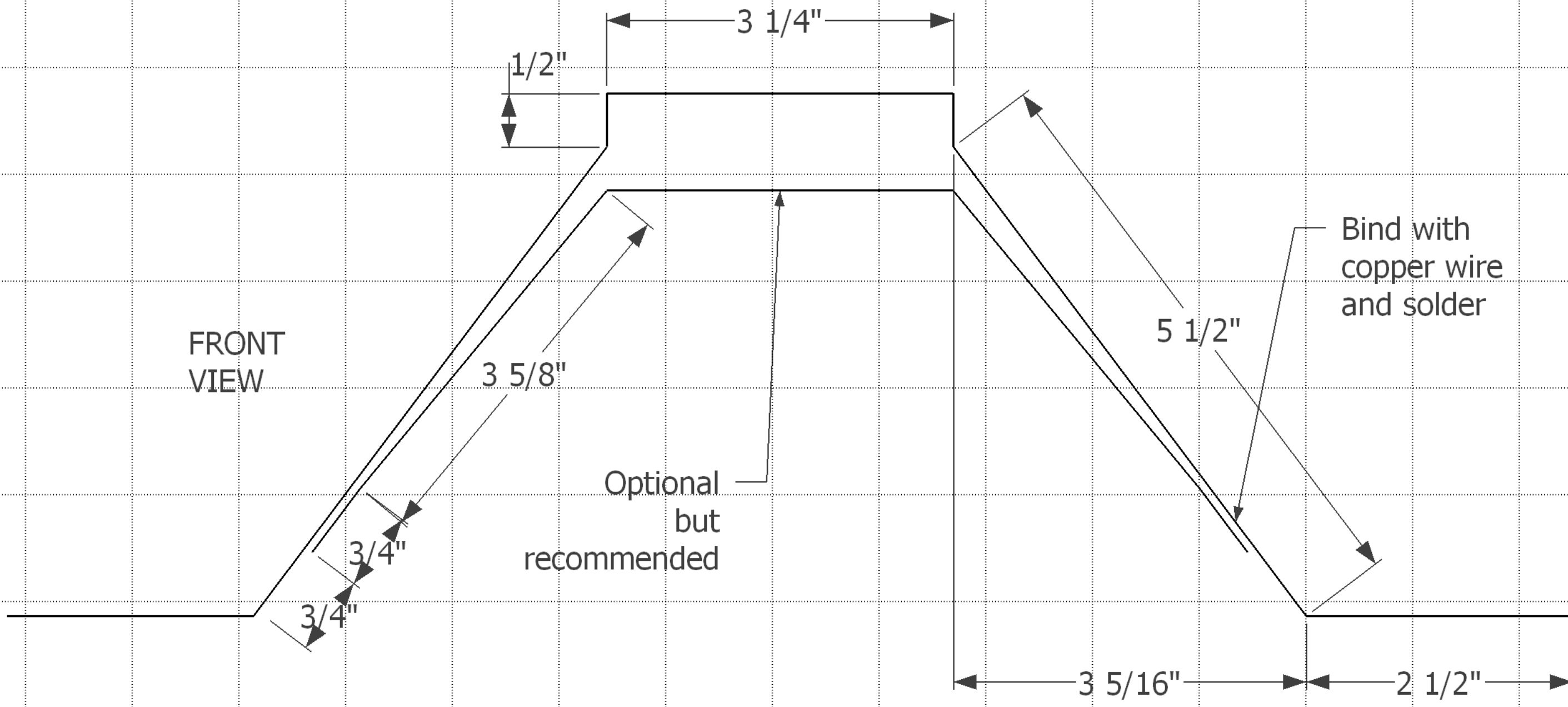


TOP VIEW



FRONT VIEW



SIDE VIEW
<-- FORWARD

