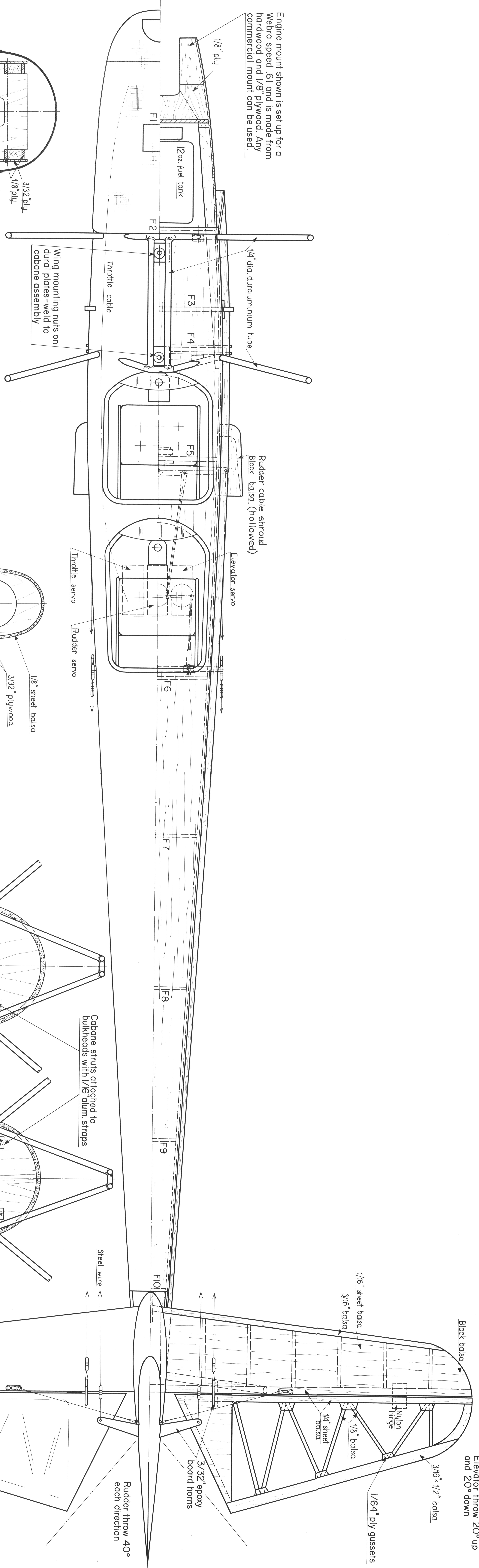
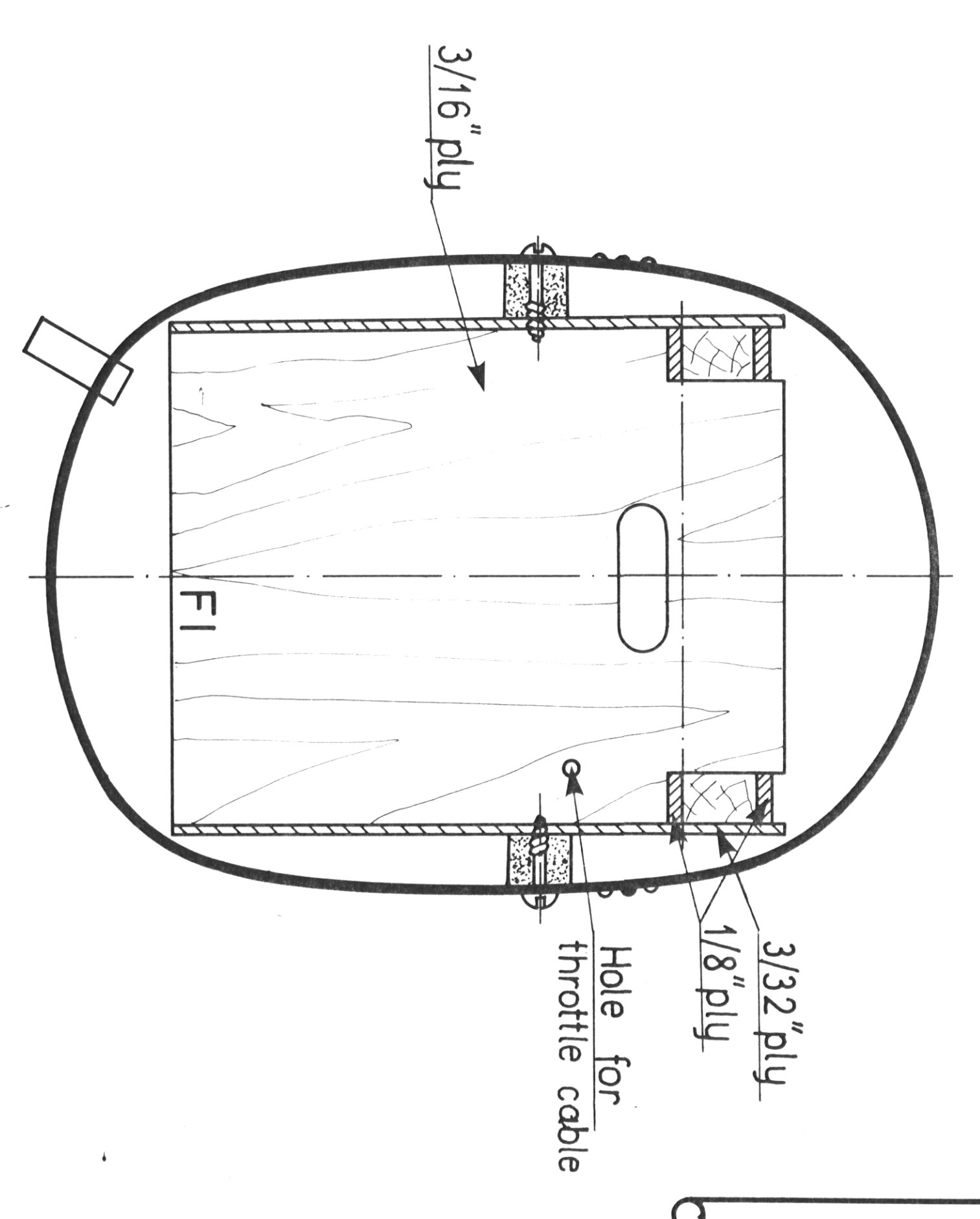


Engine mount shown is set up for a Webra speed 61 and is made from hardwood and 1/8" plywood. Any commercial mount can be used.



Wing mounting nuts on dural plates-weld to cabane assembly

Throttle cable

1/4" dia duraluminium tube

12oz fuel tank

1/8" ply

F1

F2

F3

F4

F5

Rudder cable shroud
Block balsa (hollowed)

Elevator servo

F6

F7

F8

F9

F10

Throttle servo

Rudder servo

Block balsa

Elevator throw 20° up and 20° down

3/16" x 1/2" balsa

1/64" ply gussets

1/8" balsa

1/4" sheet balsa

Nylon hinge

3/32" epoxy board horns

Rudder throw 40° each direction

Steel wire

3/16" sheet balsa

3/16" balsa

1/16" sheet balsa

Black balsa

COLOR SCHEME

SILVER..... Top of wing, stab and elevator, entire fin and rudder. Fuselage aft of color line. Registration letters on bottom side of wing.

RED..... Bottom of wing, stab and elevator, wing and stab struts, entire landing gear including wheel hubs. Fuselage forward of color line. Lettering on top of wing, on fin and rudder.

LT. GREY..... Inside of cockpit and instrument panel.

